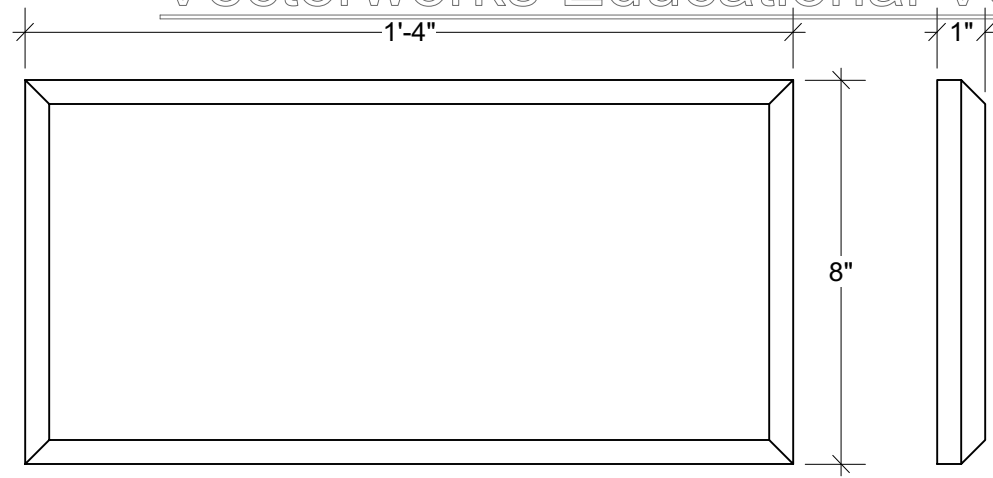


SMALL STONE FRONT VIEW

SMALL STONE SIDE VIEW



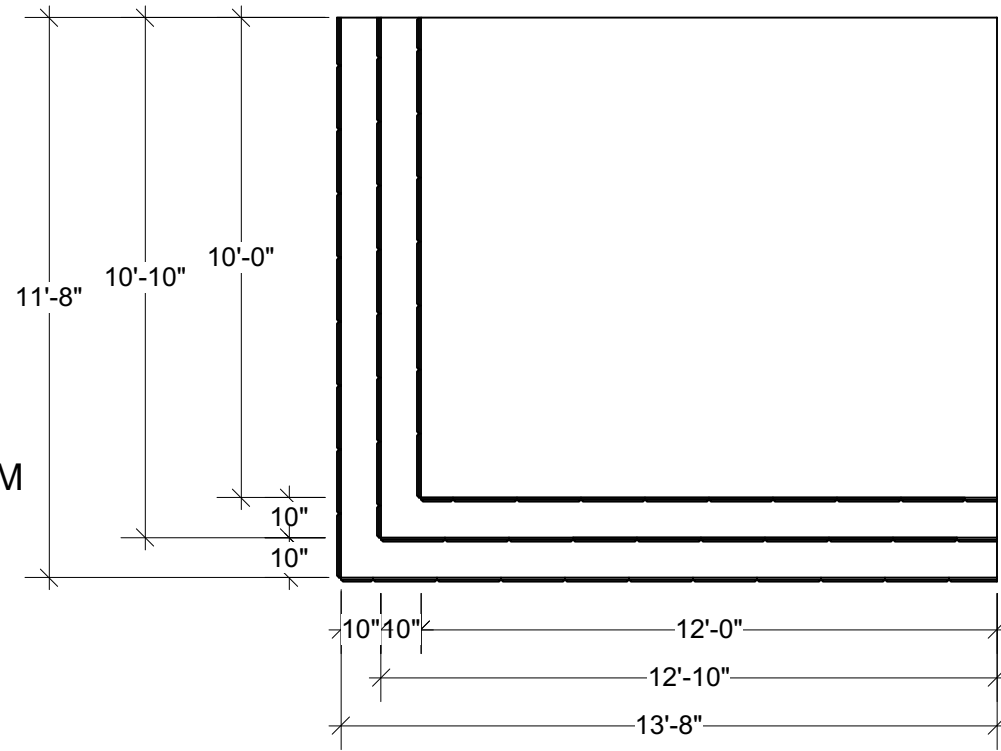
LARGE STONE FRONT VIEW

LARGE STONE SIDE VIEW

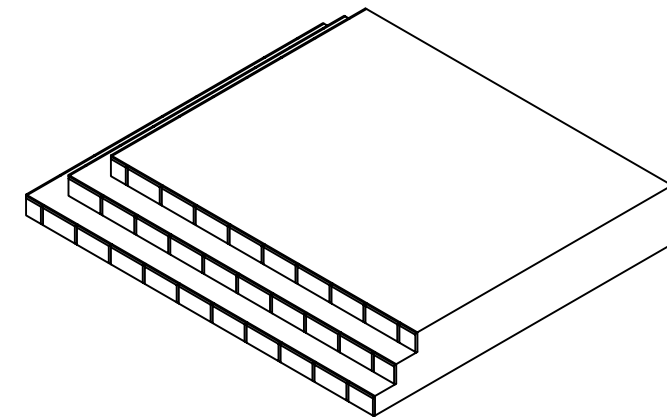
STONE DETAIL SCALE: 3" = 1'-0"

**DETAIL - 2' PLATFORM**

- STONE FACING IS NOT ACCOUNTED FOR IN DIMENSIONS
- ALL STONE FACING IS 1" THICK
- STONE FACING MAY NEED TO BE PLACED ON THE OFFSTAGE SIDE BASED OFF IN-PERSON SIGHTLINES
- STONE FACING NEEDS TO BE MADE OF FOAM SO PAINTS CAN CARVE IT



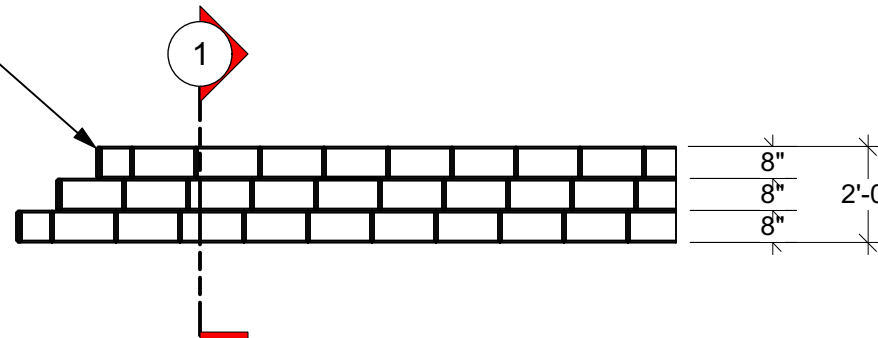
2' PLATFORM TOP VIEW



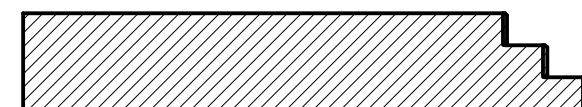
STONE FACING NEEDS TO BE MADE OF FOAM SO PAINTS CAN CARVE OUT CHUNKS



2' PLATFORM LEFT VIEW



2' PLATFORM FRONT VIEW



2' PLATFORM SECTION 1

**Disclaimer:** Drawings are only meant only to illustrate ideas and are not to be used for construction. They must be evaluated and stamped by a certified technical director before construction. The designer does not assume any liability for structural integrity in the designs. The company selected to build the designs will assume all liability to its structural integrity and related consumer, crew and performer safety.

*Robert Anderson*  
Scenic Designer Signature

Venue: Jeanine Larson Dobbins Conservatory

Stage: Wendy Kerka Rust Flexible Theatre

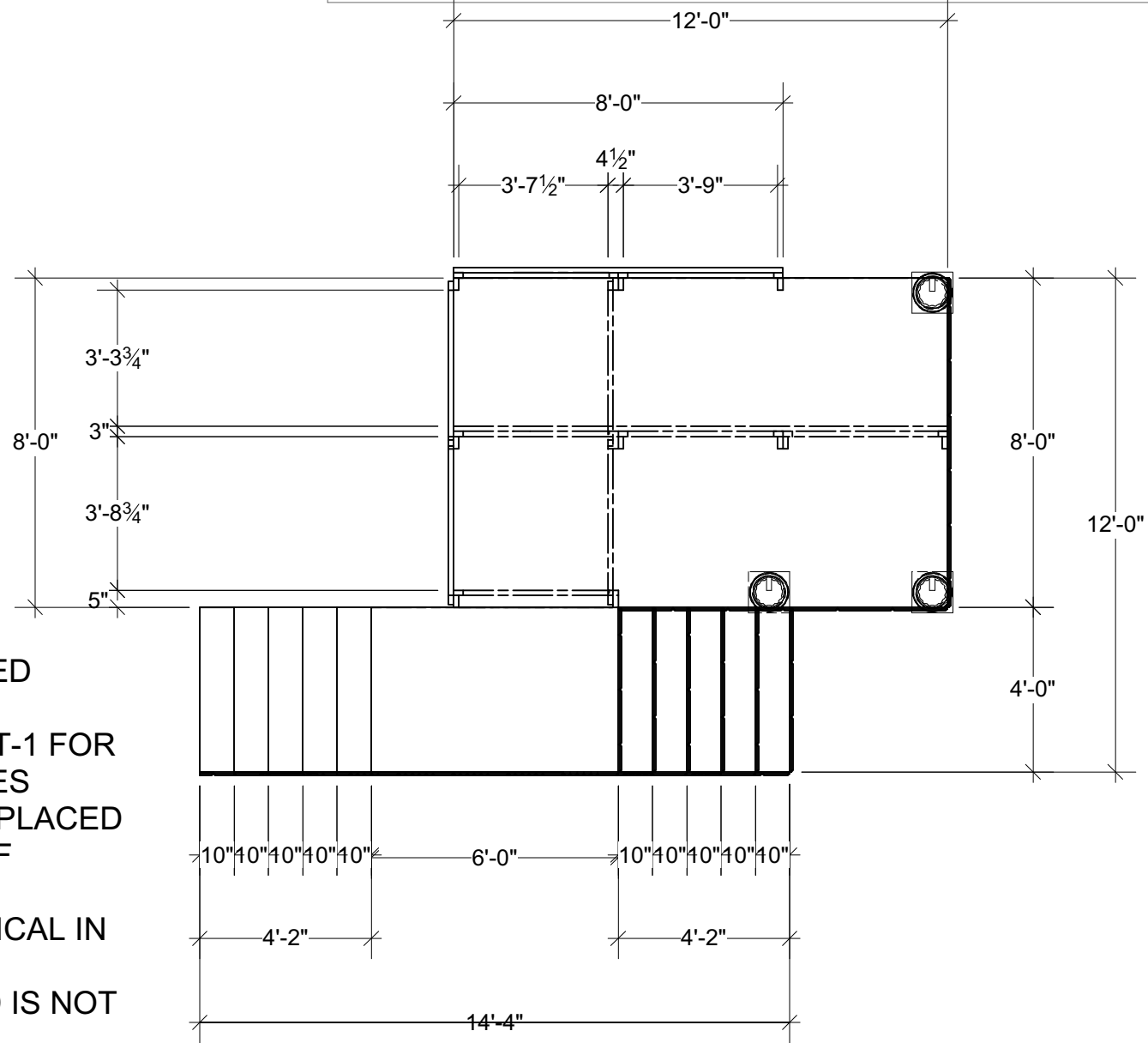
Director: Bart Williams  
Technical Director: Robert Anderson

**JULIUS CAESAR**

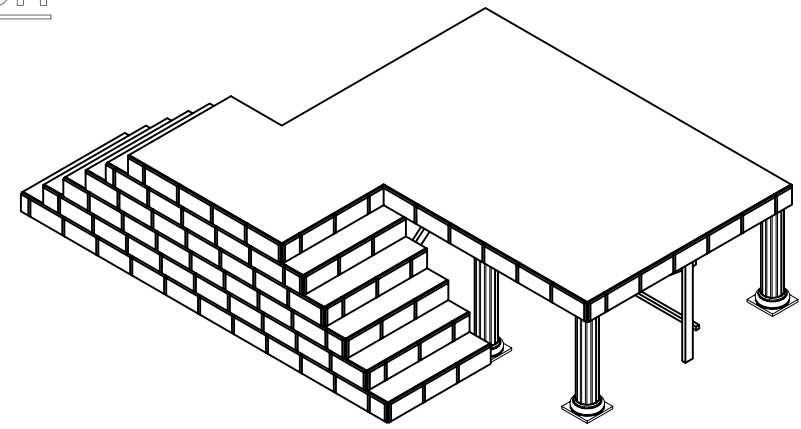
Sheet Title: Detail - 2' Platform

Date: 02/26/2021  
Scale: 1/4" = 1'-0"

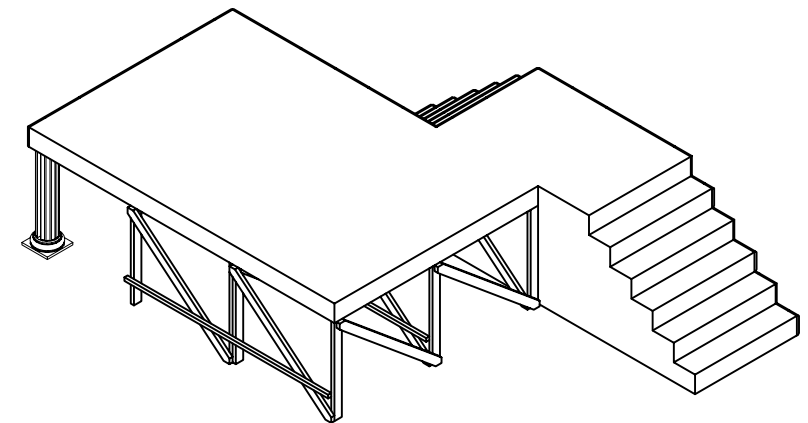
Designer: Brandon M. Newton  
Drawn By: Brandon M. Newton



4' PLATFORM TOP VIEW



4' PLATFORM FRONT RIGHT ISOMETRIC VIEW

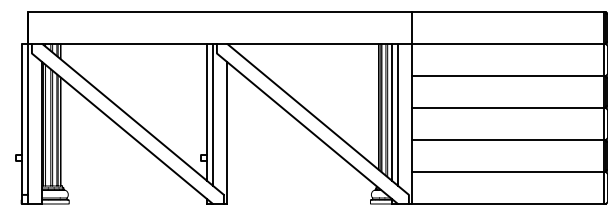


4' PLATFORM REAR LEFT ISOMETRIC VIEW

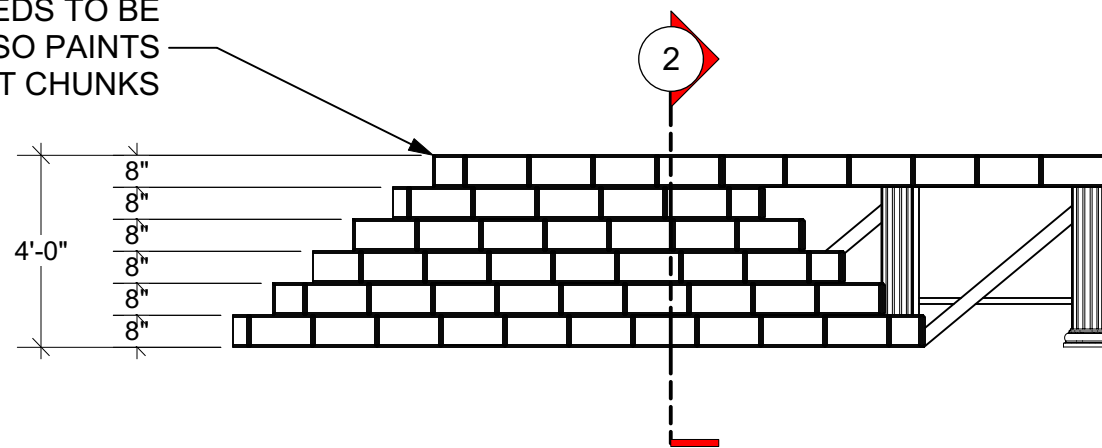
**DETAIL - 4' PLATFORM**

- STONE FACING IS NOT ACCOUNTED FOR IN DIMENSIONS
- USE STONE DETAIL ON PLATE DET-1 FOR STONE MEASUREMENTS AND NOTES
- STONE FACING MAY NEED TO BE PLACED ON OFFSTAGE FACING BASED OFF IN-PERSON SIGHTLINES
- ALL DIAGONAL BRACING IS IDENTICAL IN SHAPE
- HORIZONTAL BRACING IS 2x2 AND IS NOT INTENDED TO BE STRUCTURAL
- COLUMNS HIDE PLATFORM SUPPORT

STONE FACING NEEDS TO BE MADE OF FOAM SO PAINTS CAN CARVE OUT CHUNKS

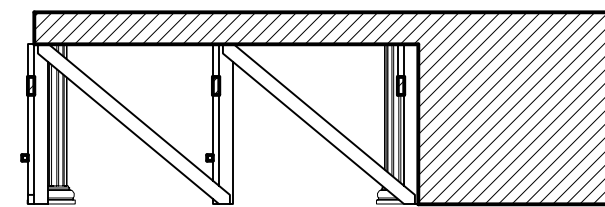


4' PLATFORM LEFT VIEW



4' PLATFORM TOP VIEW

COLUMN DETAILS ON PLATE DET-8



4' PLATFORM SECTION 2

**Disclaimer:**  
 Drawings are only meant only to illustrate ideas and are not to be used for construction. They must be evaluated and stamped by a certified technical director before construction. The designer does not assume any liability for structural integrity in the designs. The company selected to build the designs will assume all liability to its structural integrity and related consumer, crew and performer safety.

*Robert Anderson*  
 Scenic Designer Signature

Venue: Jeanine Larson Dobbins Conservatory  
 Stage: Wendy Kerka Rust Flexible Theatre  
 Director: Bart Williams  
 Technical Director: Robert Anderson

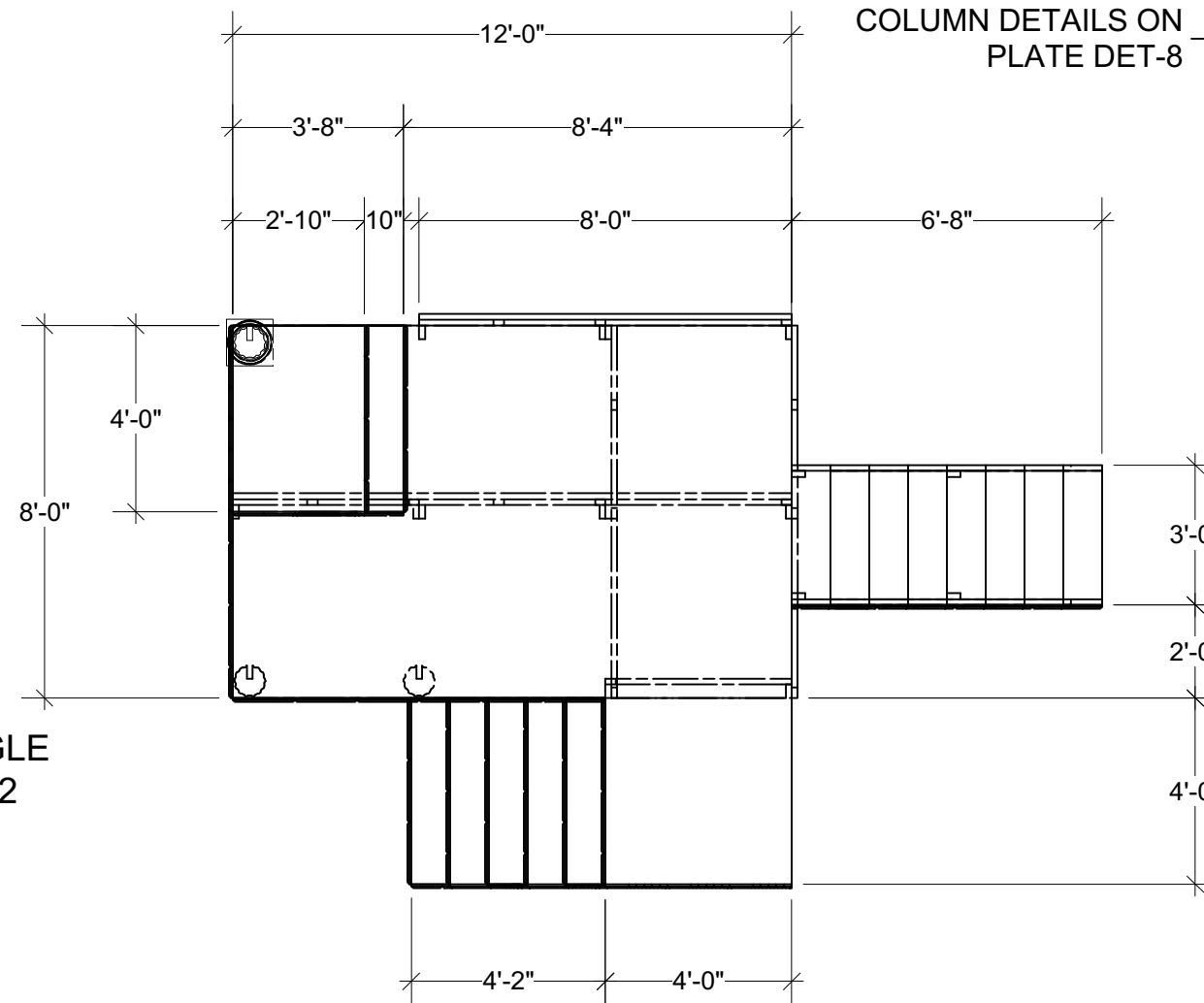
**JULIUS CAESAR**

Sheet Title: Detail - 4' Platform  
 Date: 02/26/2021  
 Scale: 1/4" = 1'-0"  
 Designer: Brandon M. Newton  
 Drawn By: Brandon M. Newton

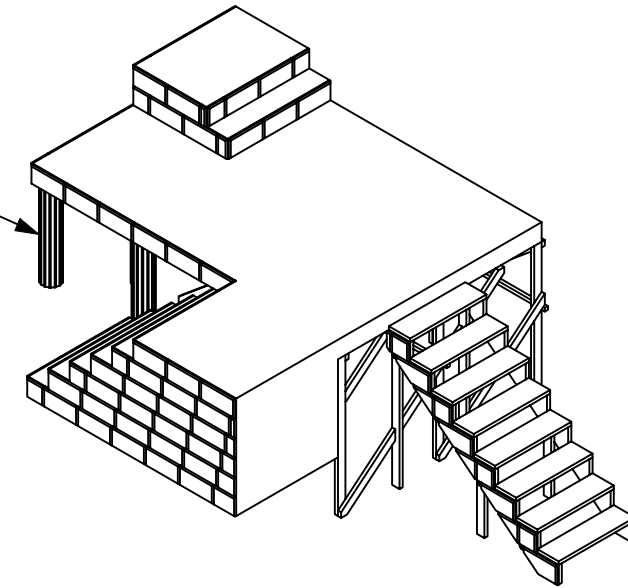
Sheet Number: DET-2  
 of 15

### DETAIL - 6' PLATFORM

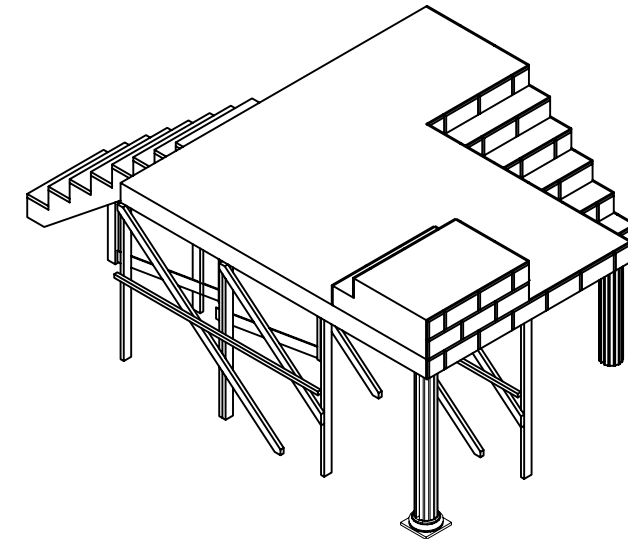
- STONE FACING IS NOT ACCOUNTED FOR IN DIMENSIONS
- USE STONE DETAIL ON PLATE DET-1 FOR STONE MEASUREMENTS AND NOTES
- STONE FACING MAY NEED TO BE PLACED ON OFFSTAGE FACING BASED OFF IN-PERSON SIGHTLINES
- ALL DIAGONAL BRACING MATCHES THE ANGLE OF THE DIAGONAL BRACING ON PLATE DET-2
- HORIZONTAL BRACING IS 2x2 AND IS NOT INTENDED TO BE STRUCTURAL
- COLUMNS HIDE PLATFORM SUPPORT



COLUMN DETAILS ON PLATE DET-8

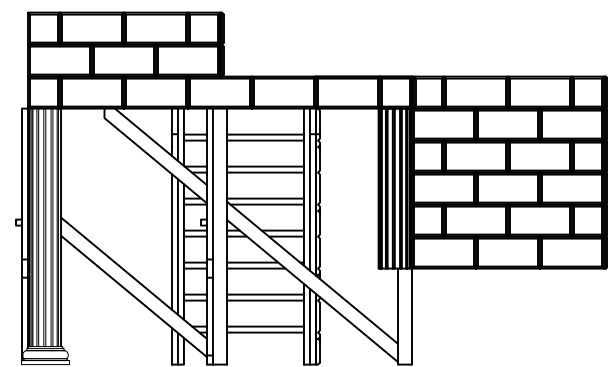


6' PLATFORM FRONT RIGHT ISOMETRIC VIEW

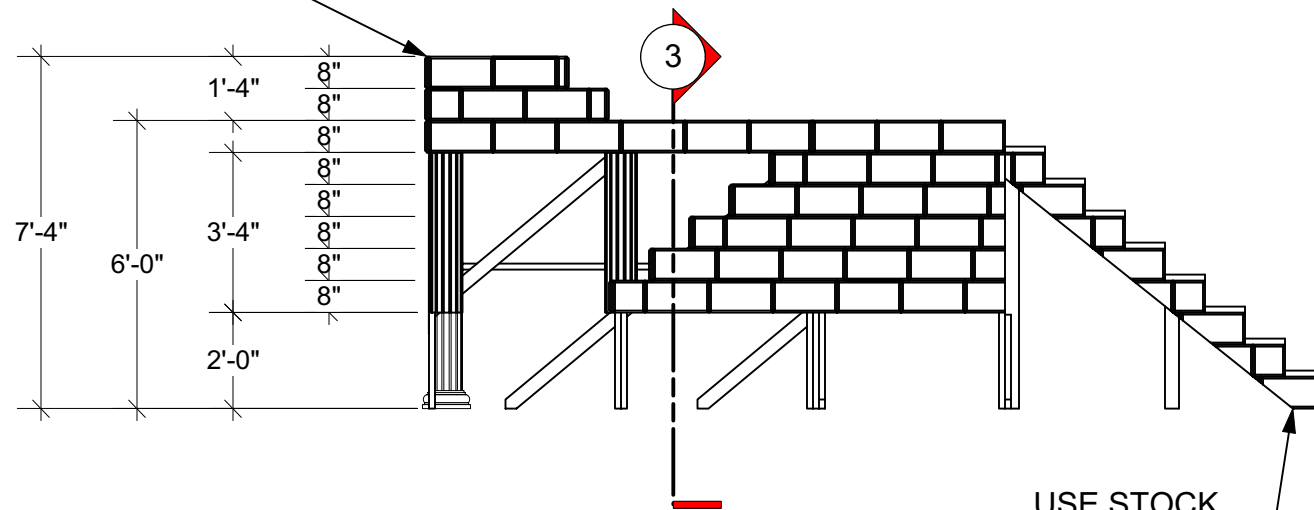


6' PLATFORM REAR LEFT ISOMETRIC VIEW

STONE FACING NEEDS TO BE MADE OF FOAM SO PAINTS CAN CARVE OUT CHUNKS

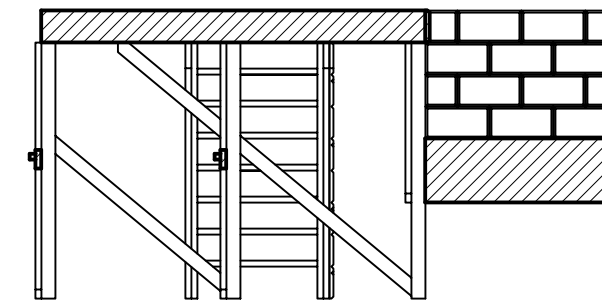


6' PLATFORM LEFT VIEW



6' PLATFORM FRONT VIEW

USE STOCK ESCAPE STAIRS



6' PLATFORM SECTION 3

**Disclaimer:** Drawings are only meant only to illustrate ideas and are not for construction. They must be evaluated and stamped by a certified technical director before construction. The designer does not assume any liability for structural integrity in the designs. The company selected to build the designs will assume all liability to its structural integrity and related consumer, crew and performer safety.

*Brandon M. Newton*  
Scenic Designer Signature

Venue: Jeanine Larson Dobbins Conservatory

Stage: Wendy Kerka Rust Flexible Theatre

Director: Bart Williams  
Technical Director: Robert Anderson

# JULIUS CAESAR

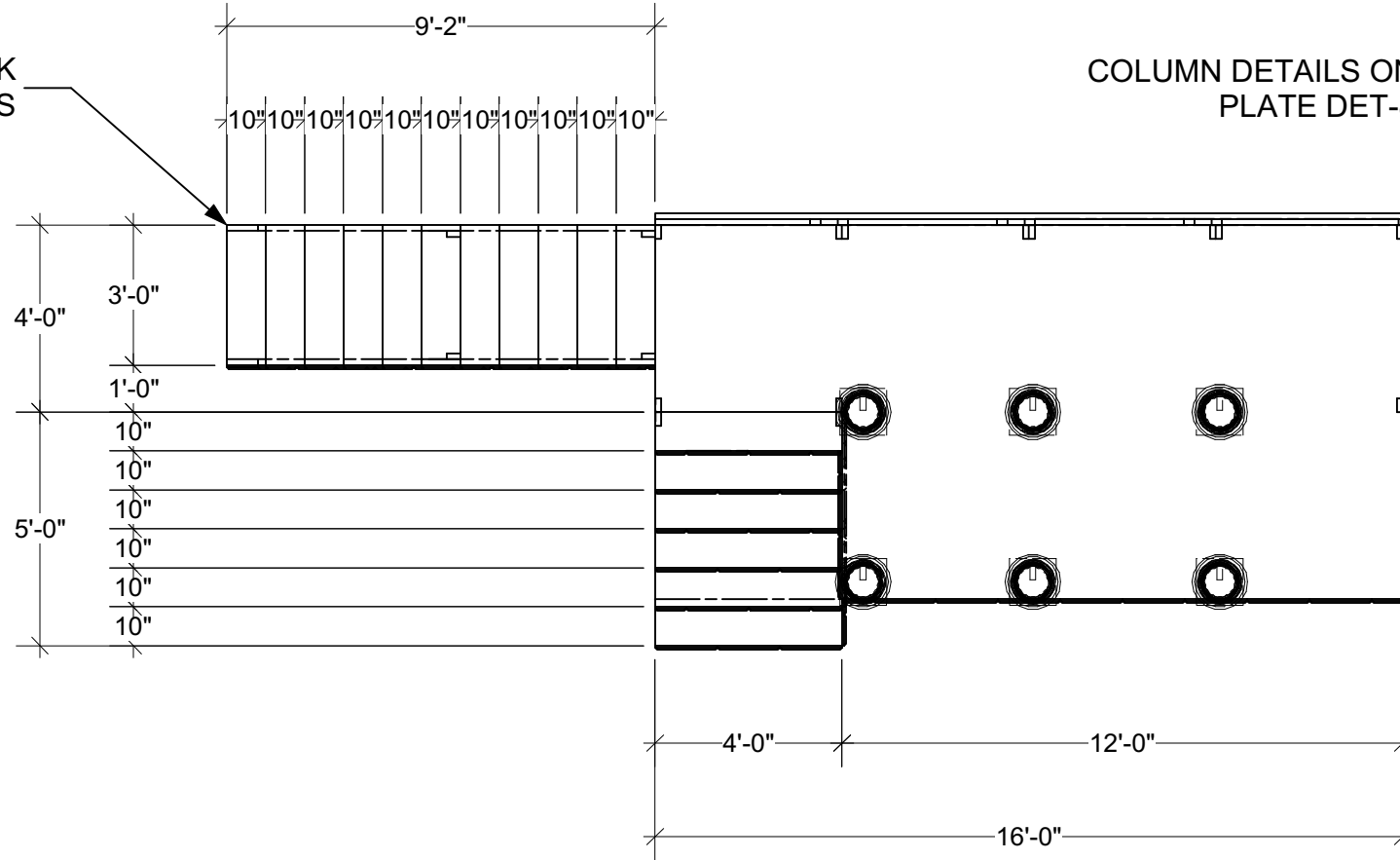
Sheet Title: Detail - 6' Platform

Date: 02/26/2021  
Scale: 1/4" = 1'-0"

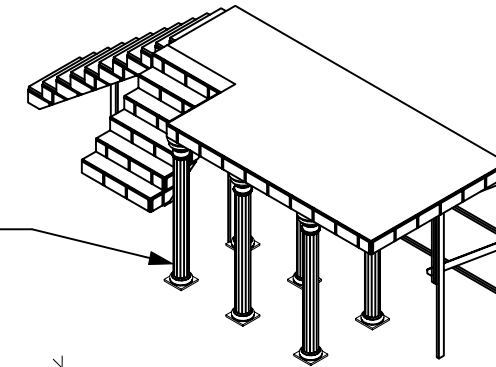
Designer: Brandon M. Newton  
Drawn By: Brandon M. Newton

Sheet Number: DET-3

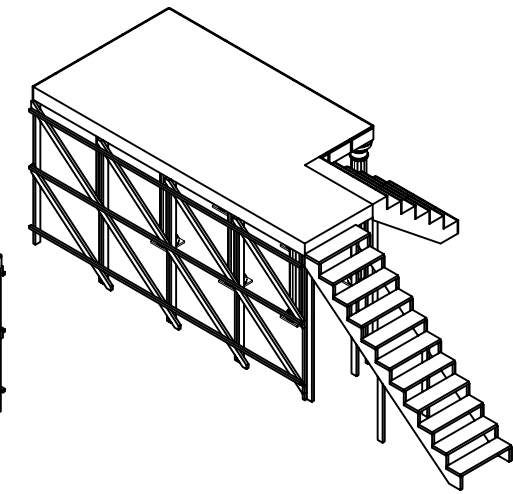
USE STOCK ESCAPE STAIRS



COLUMN DETAILS ON PLATE DET-8



8' PLATFORM FRONT RIGHT ISOMETRIC VIEW



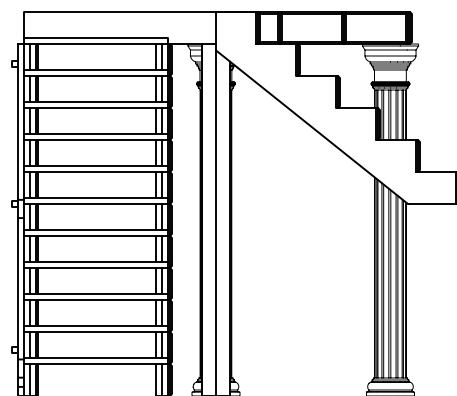
8' PLATFORM REAR LEFT ISOMETRIC VIEW

### DETAIL - 8' PLATFORM

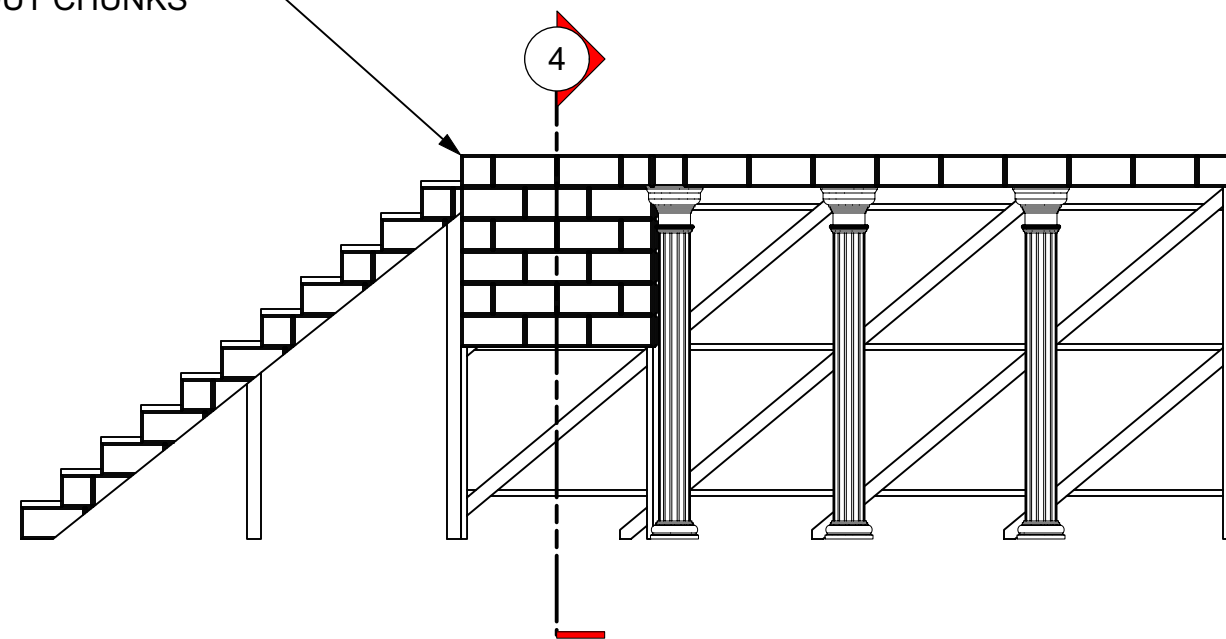
- STONE FACING IS NOT ACCOUNTED FOR IN DIMENSIONS
- USE STONE DETAIL ON PLATE DET-1 FOR STONE MEASUREMENTS AND NOTES
- STONE FACING MAY NEED TO BE PLACED ON OFFSTAGE FACING BASED OFF IN-PERSON SIGHTLINES
- ALL DIAGONAL BRACING MATCHES THE ANGLE OF THE DIAGONAL BRACING ON PLATE DET-2
- HORIZONTAL BRACING IS 2x2 AND IS NOT INTENDED TO BE STRUCTURAL
- COLUMNS HIDE PLATFORM SUPPORT

STONE FACING NEEDS TO BE MADE OF FOAM SO PAINTS CAN CARVE OUT CHUNKS

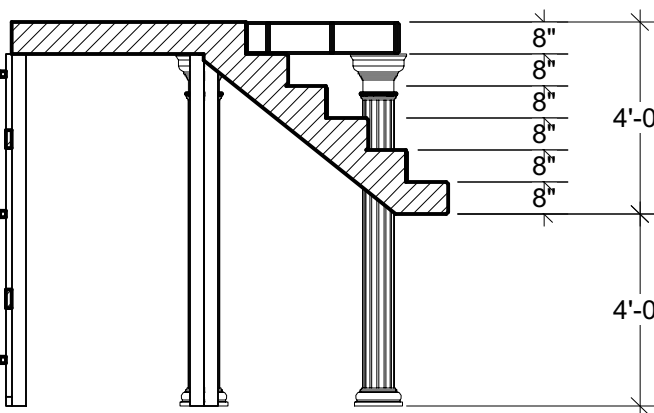
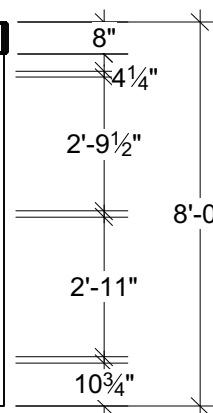
8' PLATFORM TOP VIEW



8' PLATFORM LEFT VIEW



8' PLATFORM FRONT VIEW



8' PLATFORM SECTION 4

**Disclaimer:**  
Drawings are only meant only to illustrate ideas and are not for the project and do not constitute a contract. The drawings must be evaluated and stamped by a certified technical director before construction. The designer does not assume any liability for structural integrity in the designs. The company selected to build the designs will assume all liability to its structural integrity and related consumer, crew and performer safety.

Venue: Jeanine Larson Dobbins Conservatory

Stage: Wendy Kerka Rust Flexible Theatre

Director: Bart Williams  
Technical Director: Robert Anderson

# JULIUS CAESAR

Sheet Title: Detail - 8' Platform

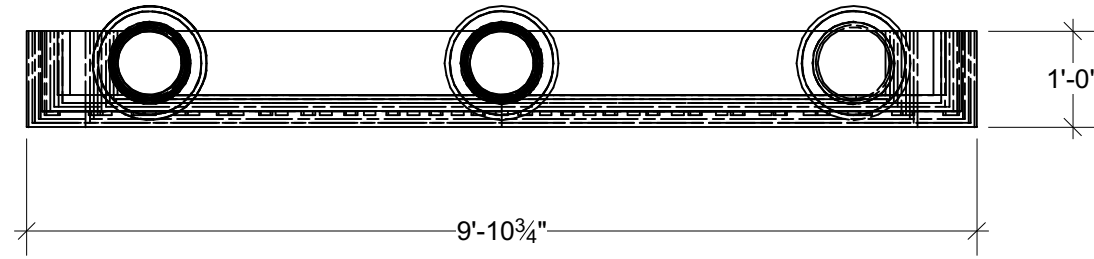
Date: 02/26/2021  
Scale: 1/4" = 1'-0"

Designer: Brandon M. Newton  
Drawn By: Brandon M. Newton

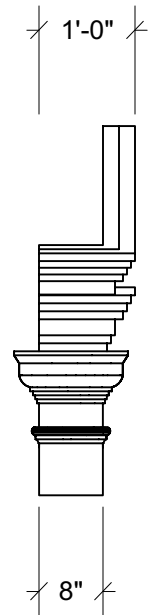
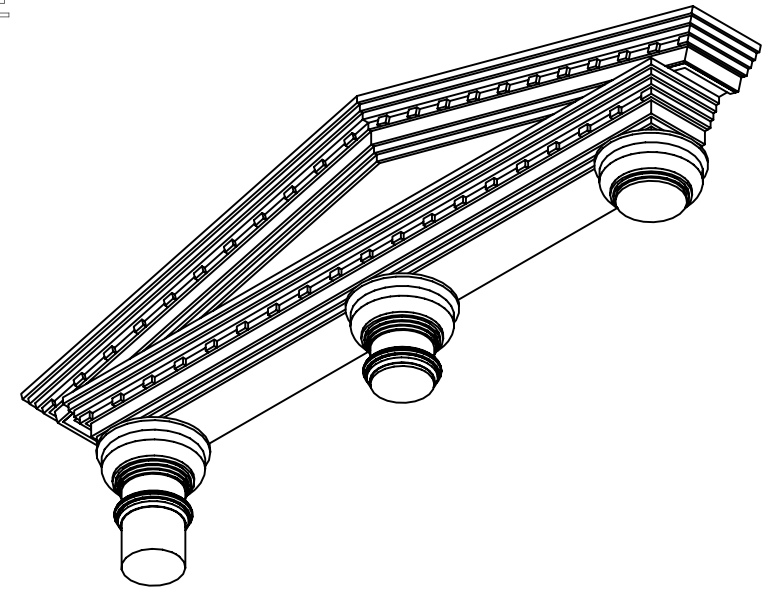
Sheet Number: DET-4 of 15

### DETAIL - PEDIMENT 1

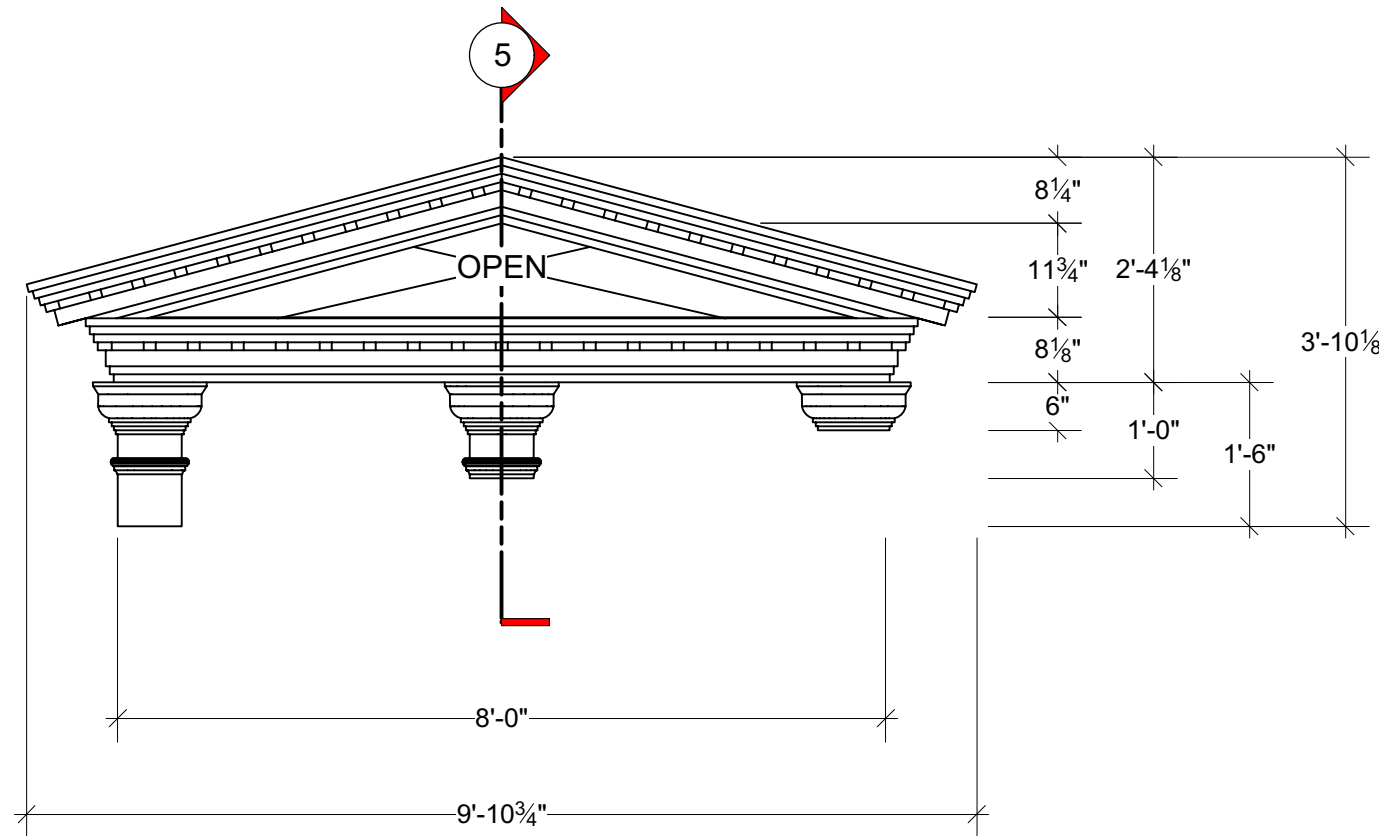
- COLUMN CAPITALS AND FORM MATCH THOSE USED WITH THE 8' PLATFORM
- RELIEF NEEDS TO BE MADE OF FOAM SO PAINTS CAN CARVE IT
- REFER TO PLATE DET-15 FOR COLUMN CAPITAL MEASUREMENTS



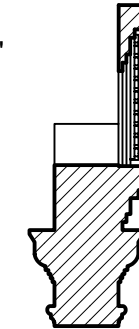
PEDIMENT 1 TOP VIEW



PEDIMENT 1 SIDE VIEW  
SEE PLATE DET-7.1  
FOR LAYER DETAILS



PEDIMENT 1 FRONT VIEW  
UNIT IS SYMMETRICAL WITHOUT THE COLUMNS



PEDIMENT 1 SECTION 5

**Disclaimer:**  
Drawings are only meant only to illustrate ideas and are not for construction. They must be evaluated and stamped by a certified technical director before construction. The designer does not assume any liability for structural integrity in the designs. The company selected to build the designs will assume all liability to its structural integrity and related consumer, crew and performer safety.

*Robert Anderson*  
Scenic Designer Signature

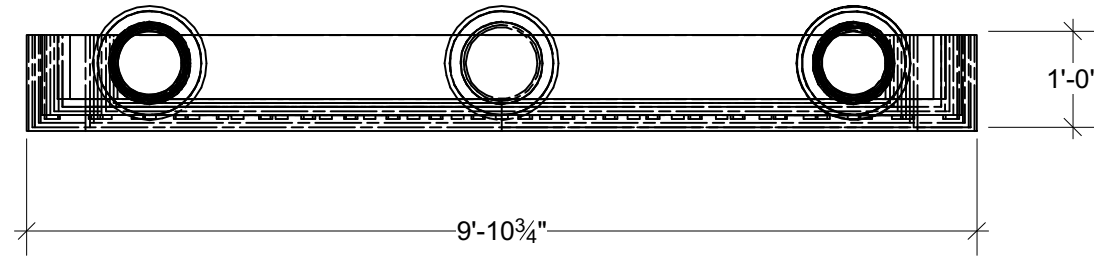
Venue:	Jeanine Larson Dobbins Conservatory
Stage:	Wendy Kerka Rust Flexible Theatre
Director:	Bart Williams
Technical Director:	Robert Anderson

# JULIUS CAESAR

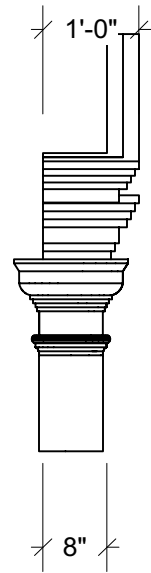
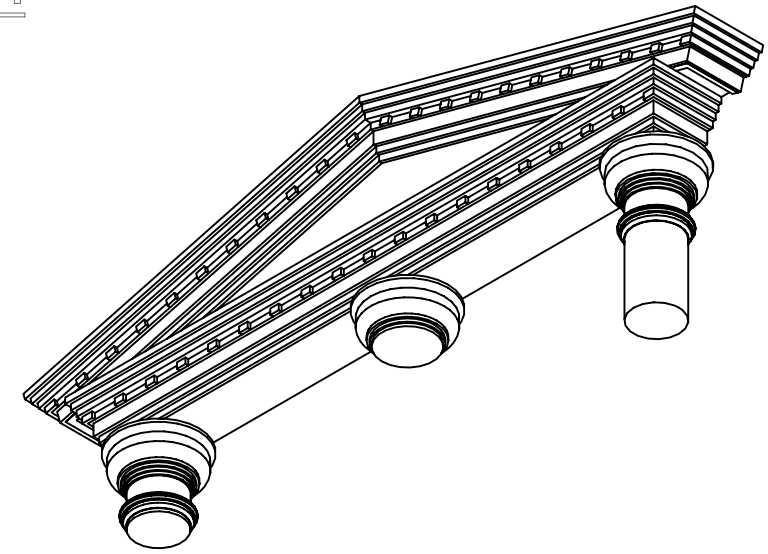
Sheet Title:	Detail - Pediment 1	
Date:	02/26/2021	Designer: Brandon M. Newton
Scale:	1/4" = 1'-0"	Drawn By: Brandon M. Newton

## DETAIL - PEDIMENT 2

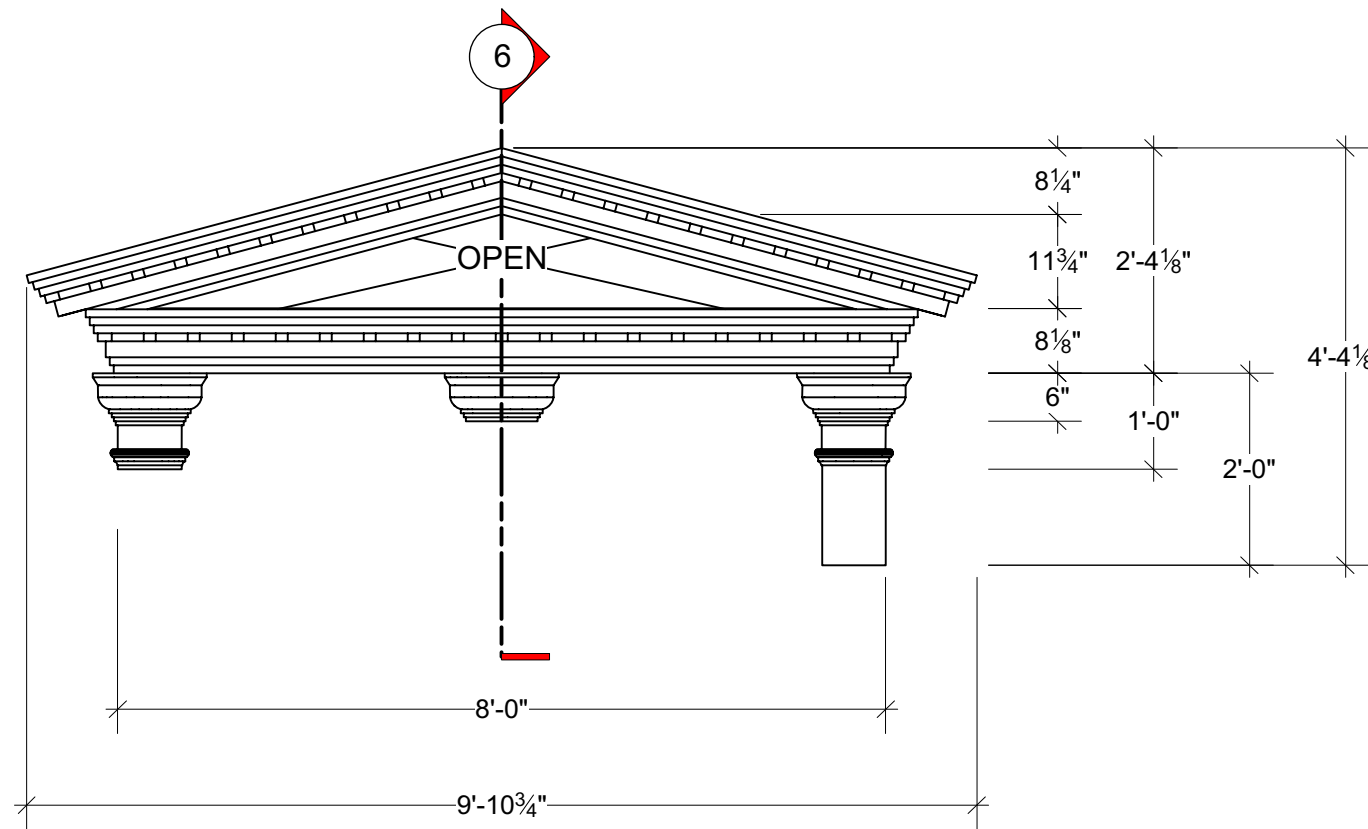
- COLUMN CAPITALS AND FORM MATCH THOSE USED WITH THE 8' PLATFORM
- RELIEF NEEDS TO BE MADE OF FOAM SO PAINTS CAN CARVE IT
- REFER TO PLATE DET-15 FOR COLUMN CAPITAL MEASUREMENTS



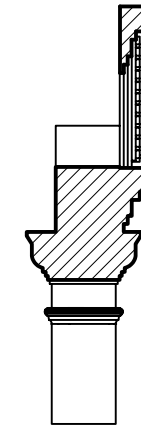
PEDIMENT 2 TOP VIEW



PEDIMENT 2 SIDE VIEW  
SEE PLATE DET-7.1  
FOR LAYER DETAILS



PEDIMENT 2 FRONT VIEW  
UNIT IS SYMMETRICAL WITHOUT THE COLUMNS



PEDIMENT 2 SECTION 5

**Disclaimer:**  
Drawings are only meant only to illustrate ideas and are not for the project and do not constitute a contract. The user must be evaluated and stamped by a certified technical director before construction. The designer does not assume any liability for structural integrity in the designs. The company selected to build the designs will assume all liability to its structural integrity and related consumer, crew and performer safety.

*Robert Anderson*  
Scenic Designer Signature

Venue: Jeanine Larson Dobbins Conservatory

Stage: Wendy Kerka Rust Flexible Theatre

Director: Bart Williams  
Technical Director: Robert Anderson

# JULIUS CAESAR

Sheet Title: Detail - Pediment 2

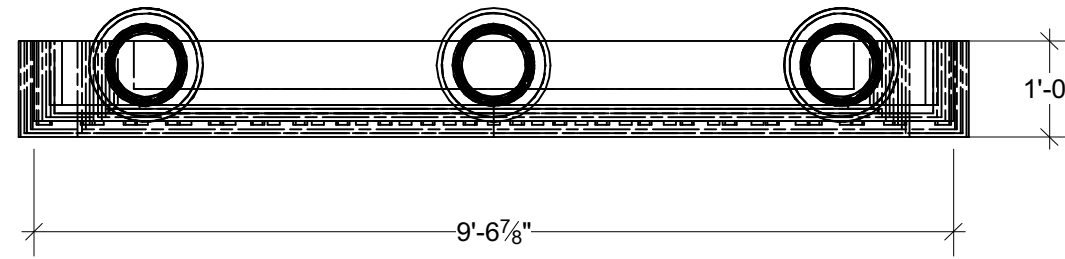
Date: 02/26/2021  
Scale: 1/4" = 1'-0"

Designer: Brandon M. Newton  
Drawn By: Brandon M. Newton

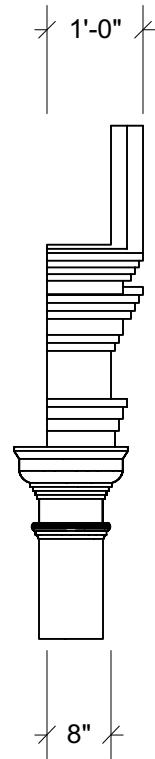
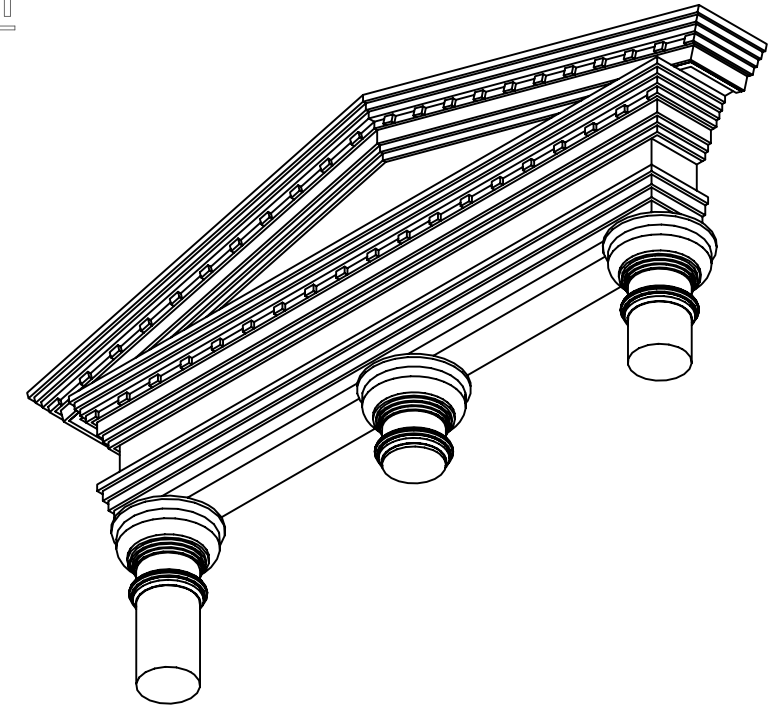
Sheet Number: DET-6  
of 15

### DETAIL - PEDIMENT 3

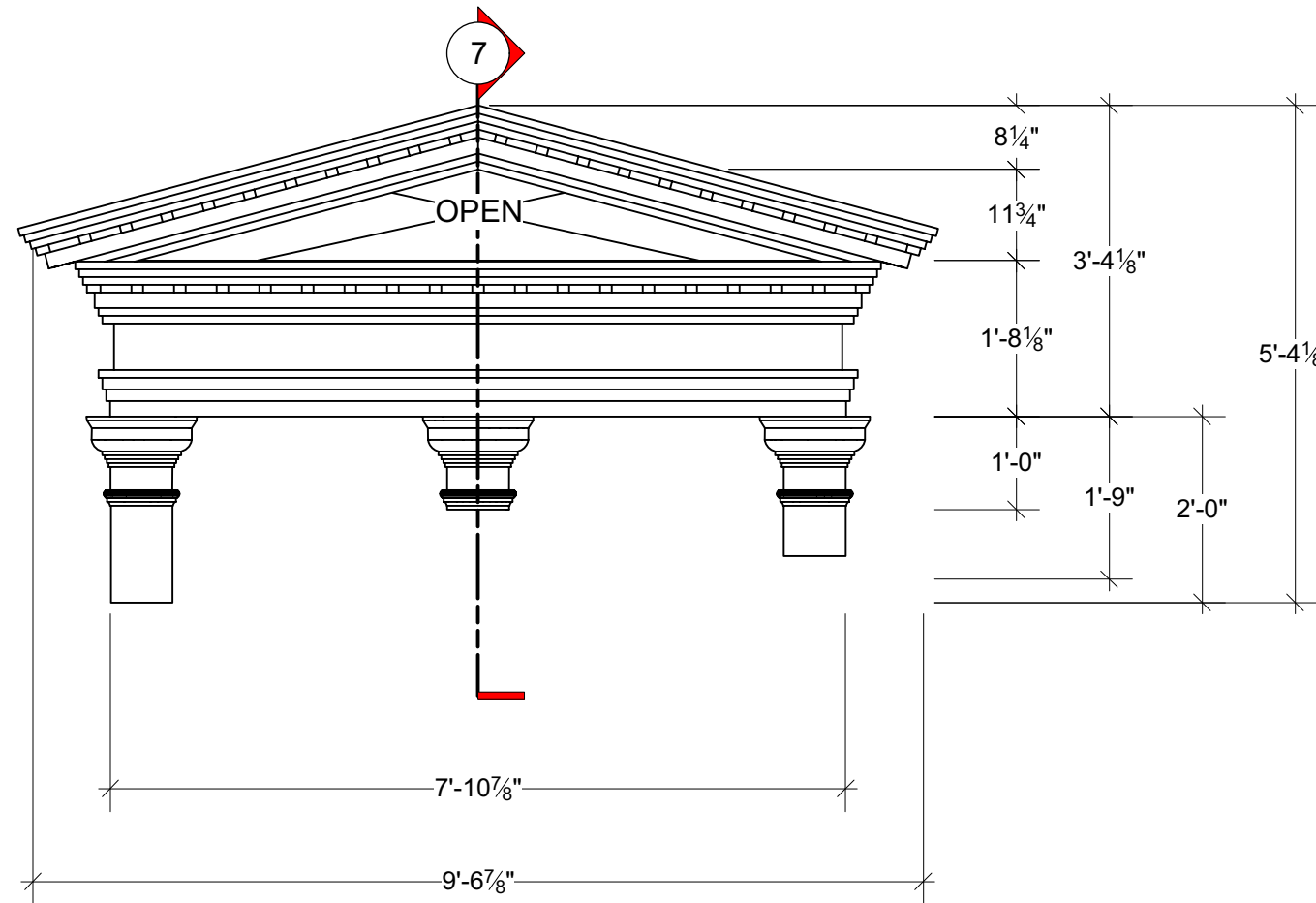
- COLUMN CAPITALS AND FORM MATCH THOSE USED WITH THE 8' PLATFORM
- RELIEF NEEDS TO BE MADE OF FOAM SO PAINTS CAN CARVE IT
- REFER TO PLATE DET-15 FOR COLUMN CAPITAL MEASUREMENTS



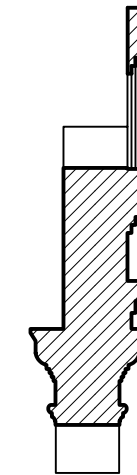
PEDIMENT 3 TOP VIEW



PEDIMENT 3 LEFT VIEW  
SEE PLATE DET-7.1  
FOR LAYER DETAIL



PEDIMENT 3 FRONT VIEW  
UNIT IS SYMMETRICAL WITHOUT THE COLUMNS



PEDIMENT 3 SECTION 7

**Disclaimer:**  
Drawings are only meant only to illustrate ideas and aesthetics for the project and do not constitute a contract. They must be evaluated and stamped by a certified technical director before construction. The designer does not assume any liability for structural integrity in the designs. The company selected to build the designs will assume all liability to its structural integrity and related consumer, crew and performer safety.

*Robert Anderson*  
Scenic Designer Signature

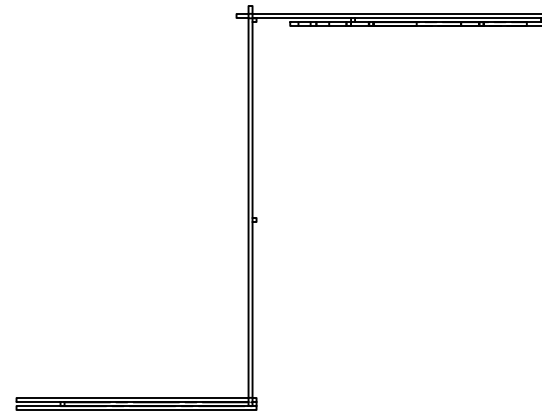
Venue:	Jeanine Larson Dobbins Conservatory
Stage:	Wendy Kerka Rust Flexible Theatre
Director:	Bart Williams
Technical Director:	Robert Anderson

# JULIUS CAESAR

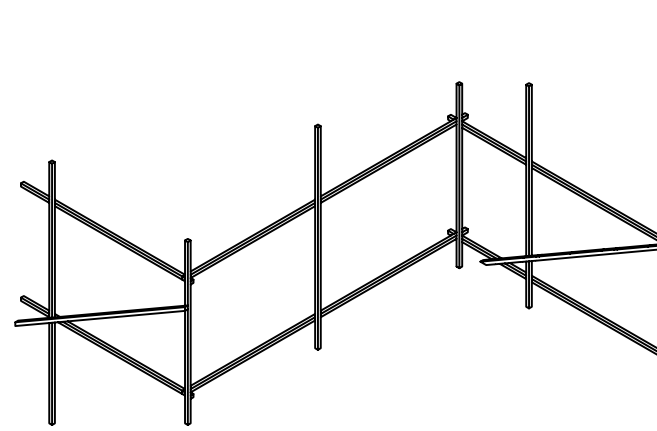
Sheet Title:	Detail - Pediment 3	
Date:	02/26/2021	Designer: Brandon M. Newton
Scale:	1/2" = 1'-0"	Drawn By: Brandon M. Newton

### DETAIL - 4' PLATFORM STEEL SR & DS

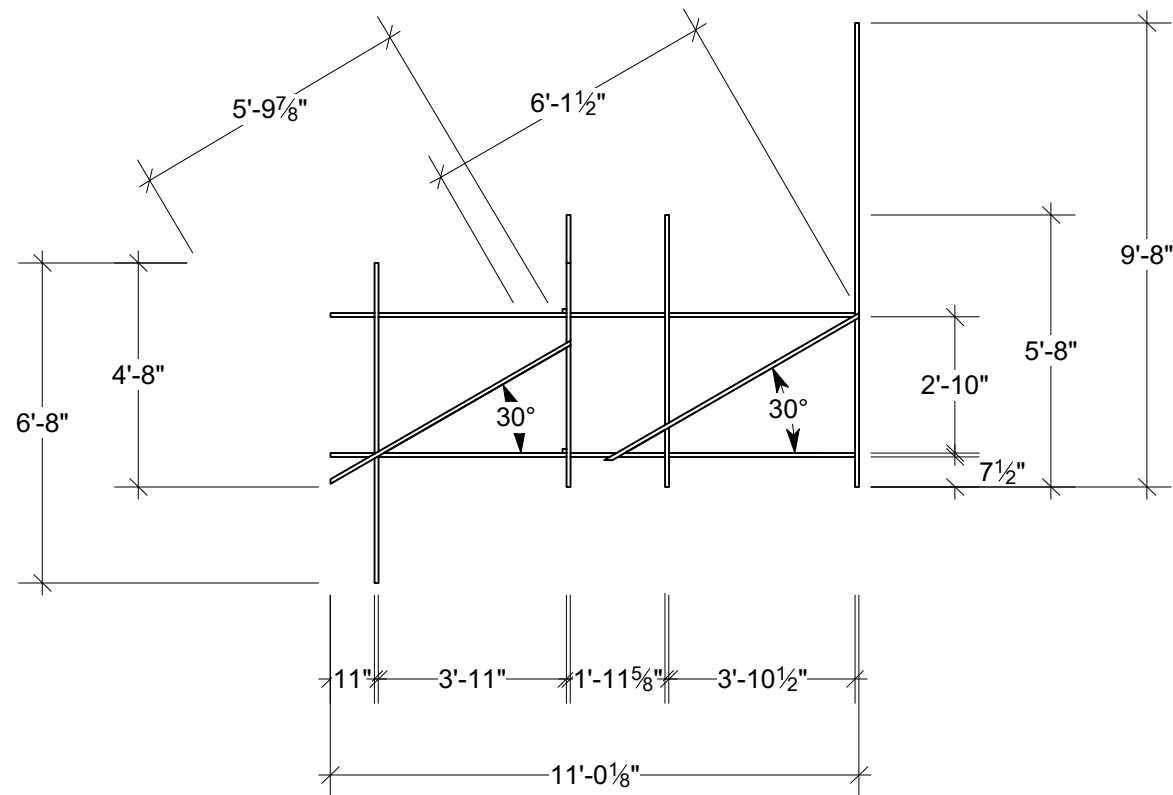
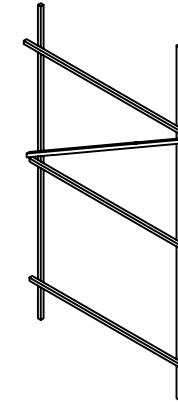
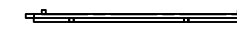
- ALL STEEL IS 1" SQUARE TUBING
- ALL INTERSECTIONS NEEDS TO BE WELDED, NOT BOLTED
- ALL STEEL IS OPEN FRAMING



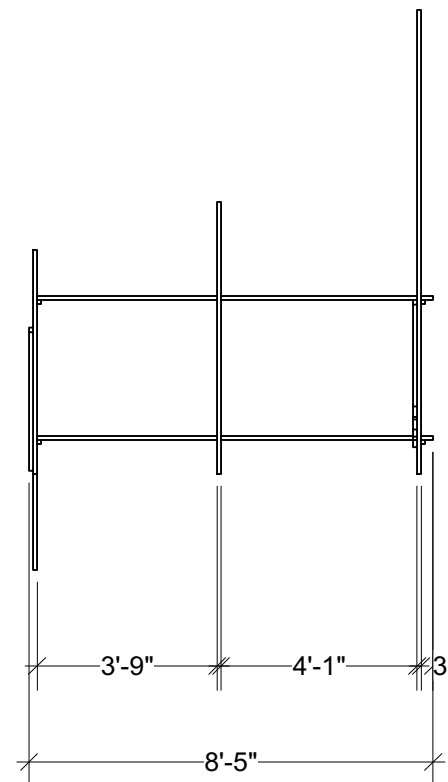
4' PLATFORM STEEL SR  
TOP VIEW



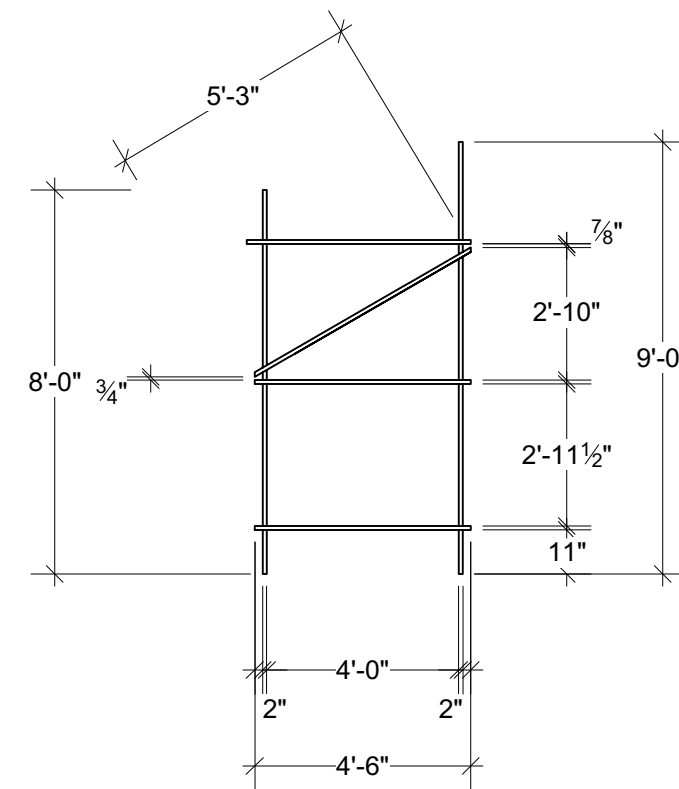
4' PLATFORM STEEL DS  
TOP VIEW



4' PLATFORM STEEL SR  
FRONT VIEW



4' PLATFORM STEEL SR  
RIGHT VIEW



4' PLATFORM STEEL DS  
FRONT VIEW

**Disclaimer:**  
Drawings are only meant only to illustrate ideas and are not for construction. They must be evaluated and stamped by a certified technical director before construction. The designer does not assume any liability for structural integrity in the designs. The company selected to build the designs will assume all liability to its structural integrity and related consumer, crew and performer safety.

*Robert Anderson*  
Scenic Designer Signature

Venue: Jeanine Larson Dobbins Conservatory  
Stage: Wendy Kerka Rust Flexible Theatre  
Director: Bart Williams  
Technical Director: Robert Anderson

**JULIUS CAESAR**

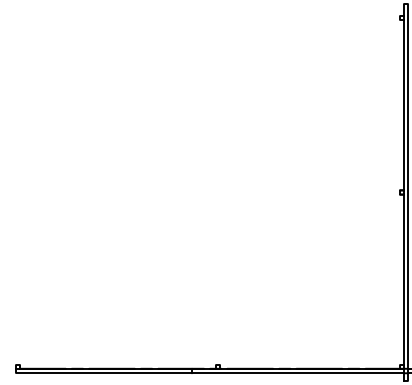
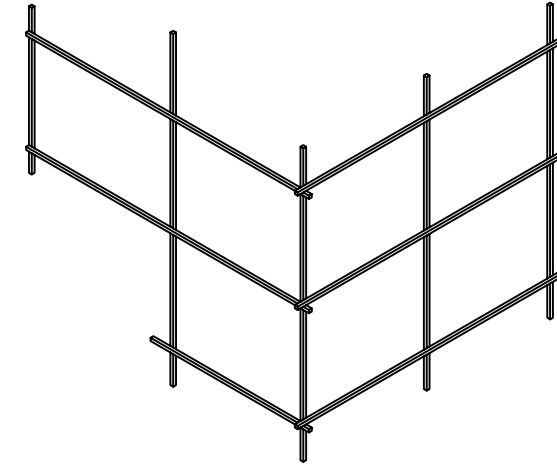
Sheet Title: Detail - 4' Platform Steel SR & DS  
Date: 02/26/2021  
Scale: 1/4" = 1'-0"  
Designer: Brandon M. Newton  
Drawn By: Brandon M. Newton

Sheet Number: DET-8  
of 15

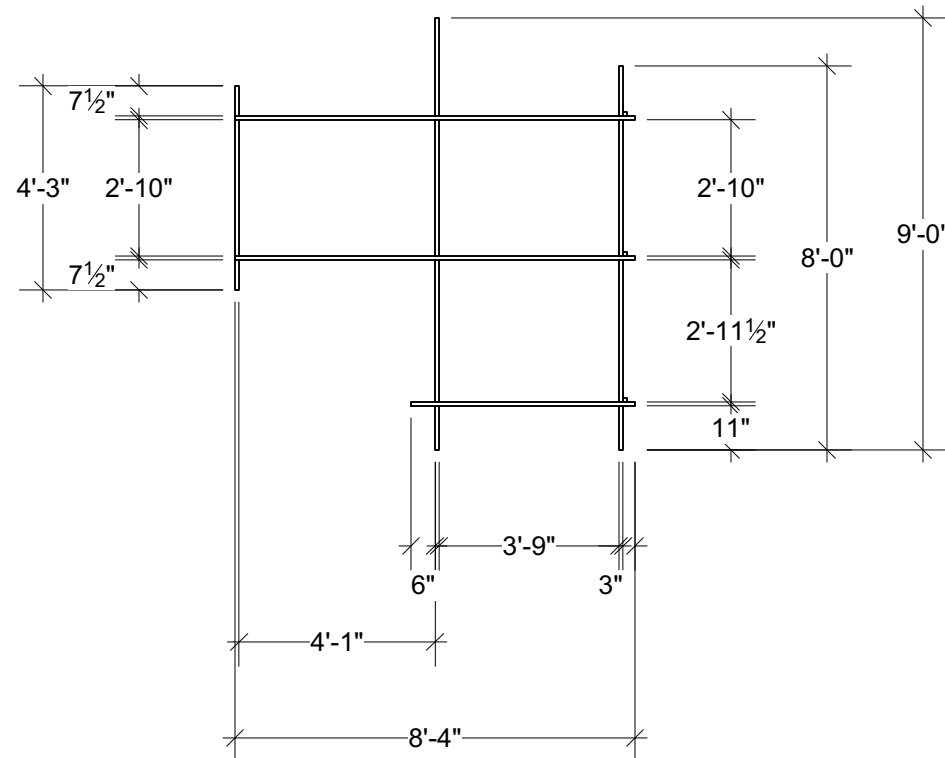


### DETAIL - 4' PLATFORM STEEL SL

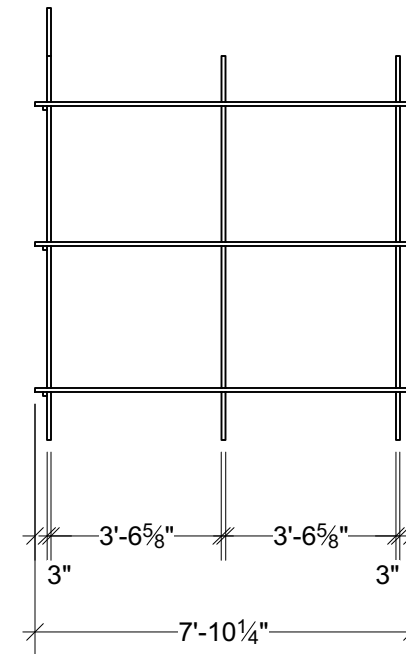
- ALL STEEL IS 1" SQUARE TUBING
- ALL INTERSECTIONS NEEDS TO BE WELDED, NOT BOLTED
- ALL STEEL IS OPEN FRAMING



4' PLATFORM STEEL SL  
TOP VIEW



4' PLATFORM STEEL SL  
FRONT VIEW



4' PLATFORM STEEL SL  
RIGHT VIEW

**Disclaimer:**  
Drawings are only meant only to illustrate ideas and are not for construction. They must be evaluated and stamped by a certified technical director before construction. The designer does not assume any liability for structural integrity in the designs. The company selected to build the designs will assume all liability to its structural integrity and related consumer, crew and performer safety.

*Robert Anderson*  
Scenic Designer Signature

Venue: Jeanine Larson Dobbins Conservatory

Stage: Wendy Kerka Rust Flexible Theatre

Director: Bart Williams  
Technical Director: Robert Anderson

# JULIUS CAESAR

Sheet Title: Detail - 4' Platform Steel SL

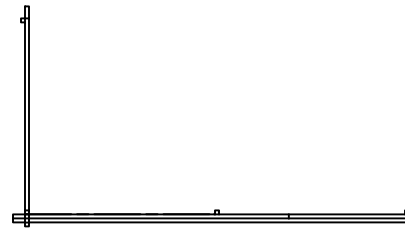
Date: 02/26/2021  
Scale: 1/4" = 1'-0"

Designer: Brandon M. Newton  
Drawn By: Brandon M. Newton

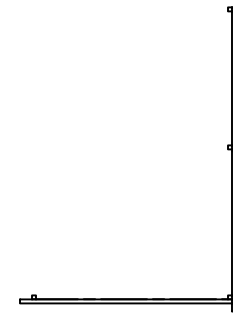
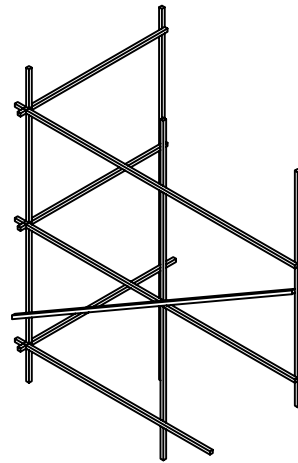
Sheet Number: DET-9  
of 15

### DETAIL - 6' PLATFORM STEEL SR & DS

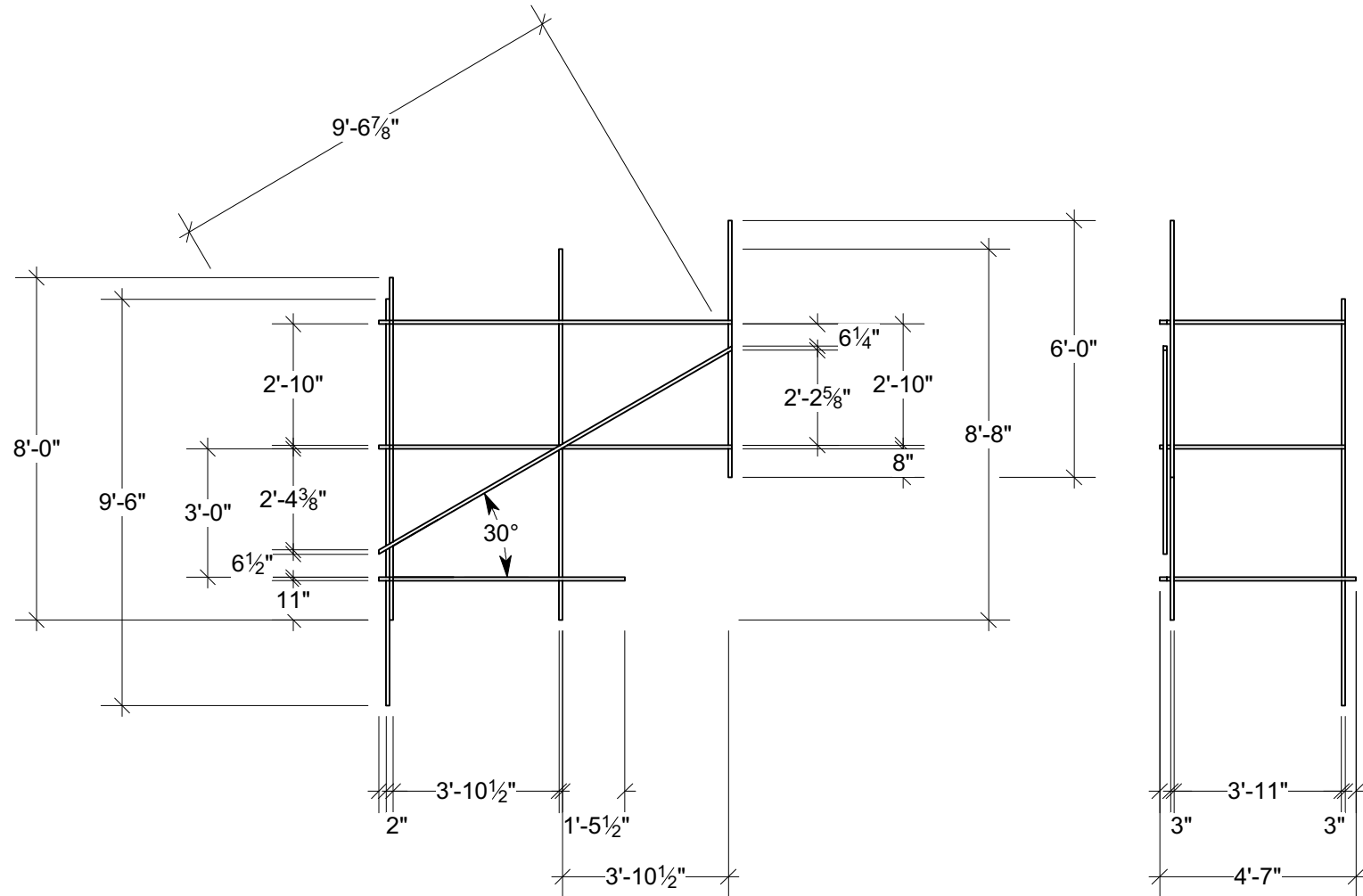
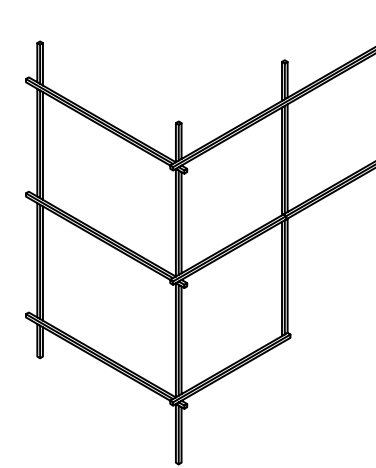
- ALL STEEL IS 1" SQUARE TUBING
- ALL INTERSECTIGN NEEDS TO BE WELDED, NOT BOLTED
- ALL STEEL IS OPEN FRAMING



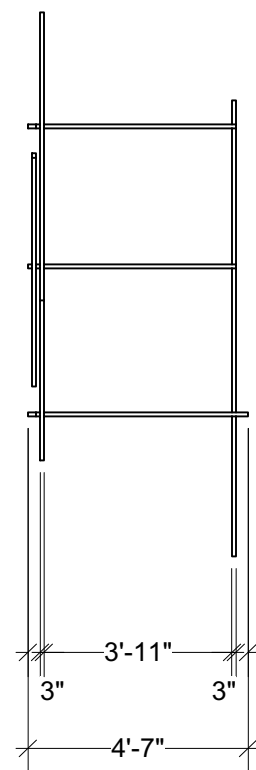
6' PLATFORM STEEL SR  
TOP VIEW



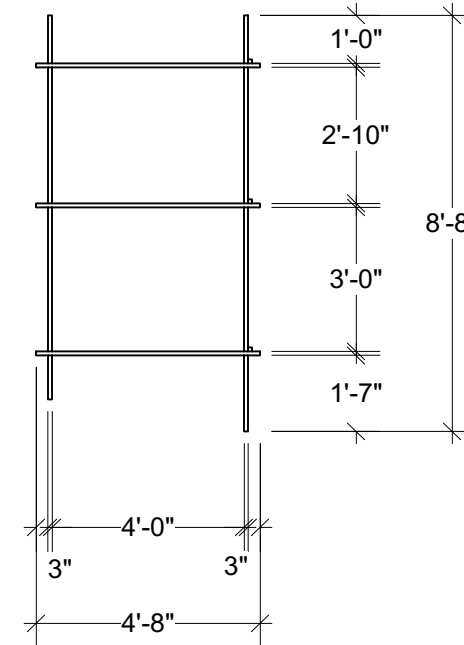
6' PLATFORM STEEL DS  
TOP VIEW



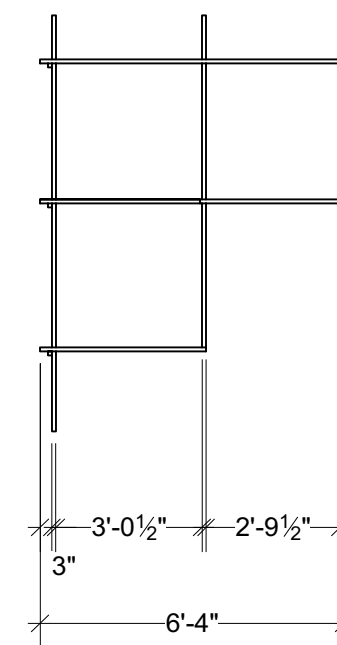
6' PLATFORM STEEL Sr  
FRONT VIEW



6' PLATFORM STEEL Sr  
RIGHT VIEW



6' PLATFORM STEEL DS  
FRONT VIEW



6' PLATFORM STEEL DS  
RIGHT VIEW

**Disclaimer:**  
Drawings are only meant only to illustrate ideas and are not to be used for construction. They must be evaluated and stamped by a certified technical director before construction. The designer does not assume any liability for structural integrity in the designs. The company selected to build the designs will assume all liability to its structural integrity and related consumer, crew and performer safety.

*Robert Anderson*  
Scenic Designer Signature

Venue: Jeanine Larson Dobbins Conservatory

Stage: Wendy Kerka Rust Flexible Theatre

Director: Bart Williams  
Technical Director: Robert Anderson

# JULIUS CAESAR

Sheet Title: Detail - 6' Platform Steel SR & DS

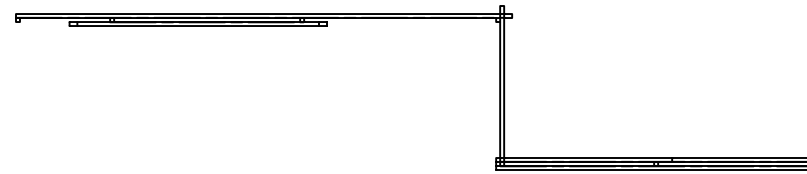
Date: 02/26/2021  
Scale: 1/4" = 1'-0"

Designer: Brandon M. Newton  
Drawn By: Brandon M. Newton

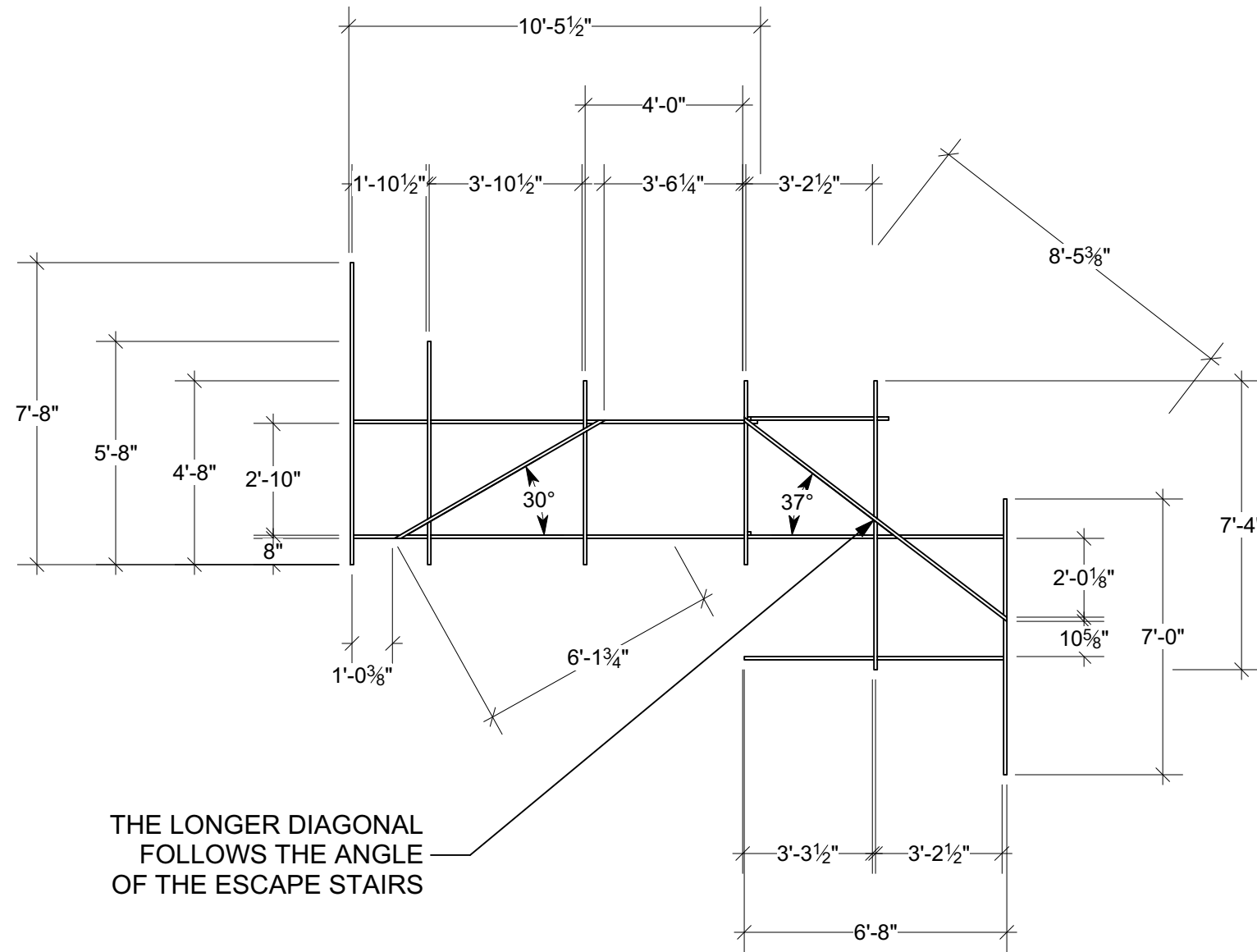
Sheet Number: DET-10  
of 15

# DETAIL - 6' PLATFORM STEEL US

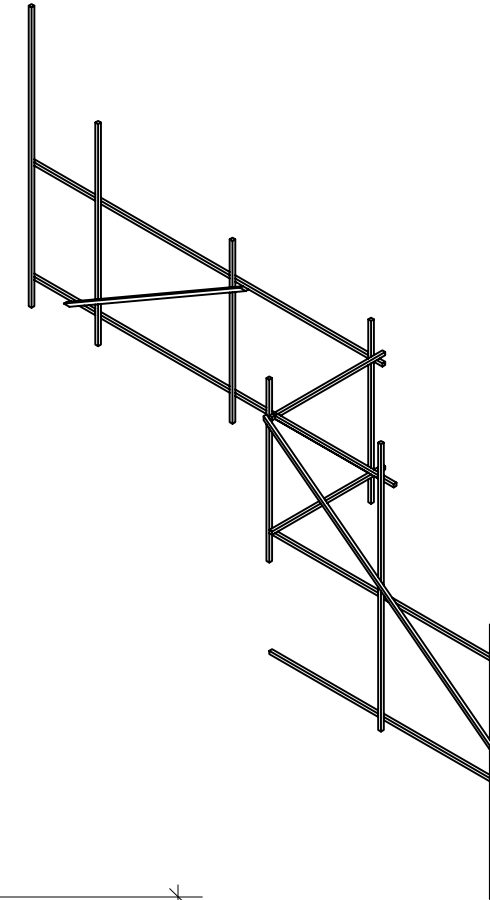
- ALL STEEL IS 1" SQUARE TUBING
- ALL INTERSECTIONS NEEDS TO BE WELDED, NOT BOLTED
- ALL STEEL IS OPEN FRAMING



4' PLATFORM STEEL SL  
TOP VIEW



4' PLATFORM STEEL SL  
FRONT VIEW



4' PLATFORM STEEL SL  
RIGHT VIEW

**Disclaimer:**  
Drawings are only meant only to illustrate ideas and assist in the project. They are not to be used for construction without being evaluated and stamped by a certified technical director before construction. The designer does not assume any liability for structural integrity in the designs. The company selected to build the designs will assume all liability to its structural integrity and related consumer, crew and performer safety.

*Brandon M. Newton*  
Scenic Designer Signature

Venue:	Jeanine Larson Dobbins Conservatory
Stage:	Wendy Kerka Rust Flexible Theatre
Director:	Bart Williams
Technical Director:	Robert Anderson

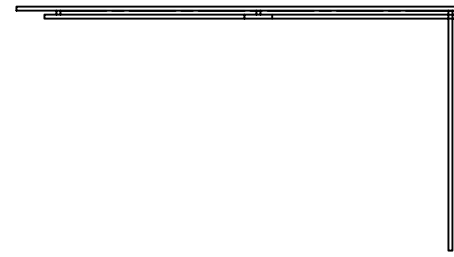
**JULIUS CAESAR**

Sheet Title:	Detail - 6' Platform Steel US
Date:	02/26/2021
Designer:	Brandon M. Newton
Scale:	1/4" = 1'-0"
Drawn By:	Brandon M. Newton

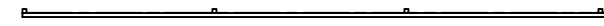
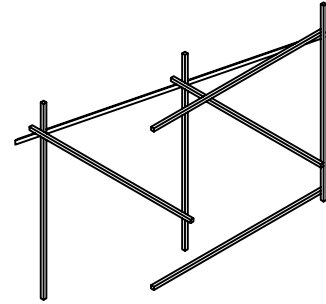
Sheet Number:  
**DET-11**  
of 15

# DETAIL - 8' PLATFORM STEEL SR & DS

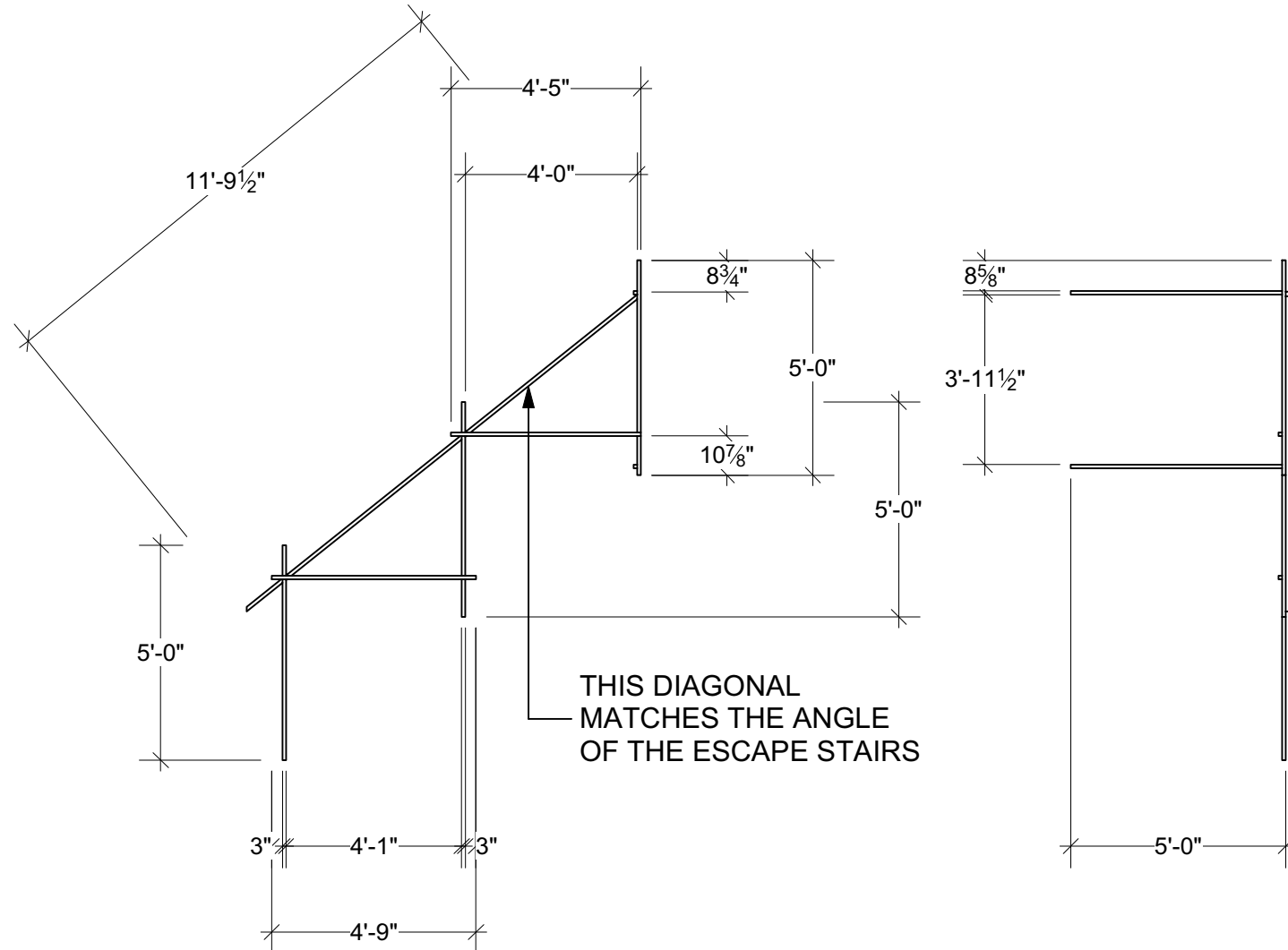
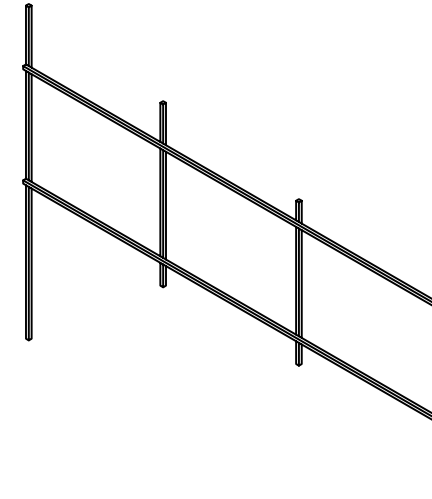
- ALL STEEL IS 1" SQUARE TUBING
- ALL INTERSECTIONS NEEDS TO BE WELDED, NOT BOLTED
- ALL STEEL IS OPEN FRAMING



8' PLATFORM STEEL SR  
TOP VIEW

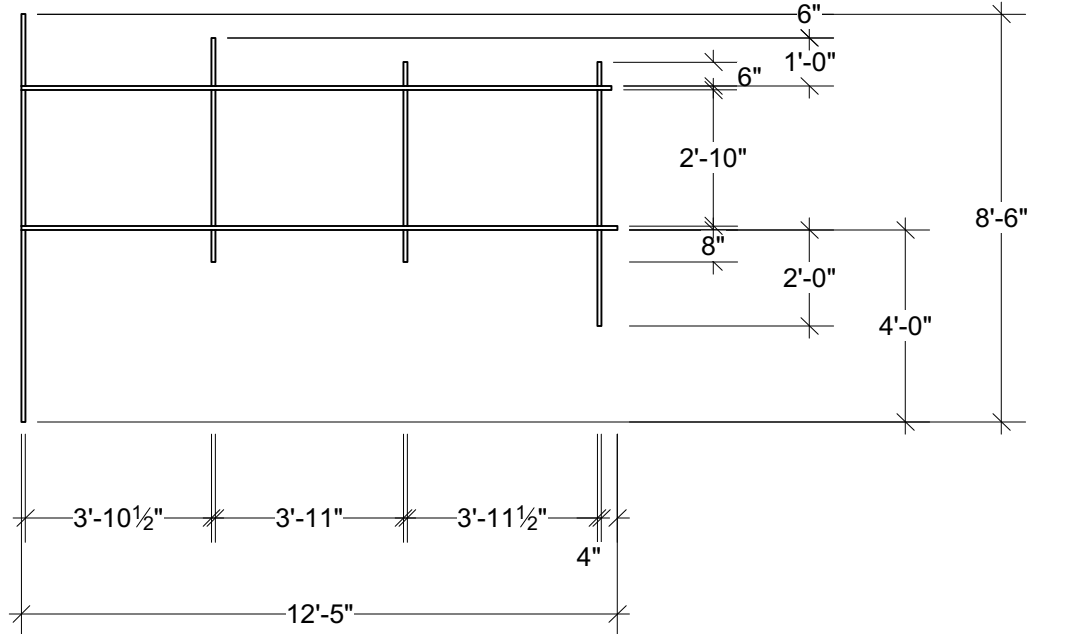


8' PLATFORM STEEL DS  
TOP VIEW



8' PLATFORM STEEL SR  
FRONT VIEW

8' PLATFORM STEEL SR  
RIGHT VIEW



8' PLATFORM STEEL DS  
FRONT VIEW

8' PLATFORM STEEL DS  
RIGHT VIEW

**Disclaimer:**  
Drawings are only meant only to illustrate ideas and are not for construction. They must be evaluated and stamped by a certified technical director before construction. The designer does not assume any liability for structural integrity in the designs. The company selected to build the designs will assume all liability to its structural integrity and related consumer, crew and performer safety.

*Brandon M. Newton*  
Scenic Designer Signature

Venue: Jeanine Larson Dobbins Conservatory  
Stage: Wendy Kerka Rust Flexible Theatre  
Director: Bart Williams  
Technical Director: Robert Anderson

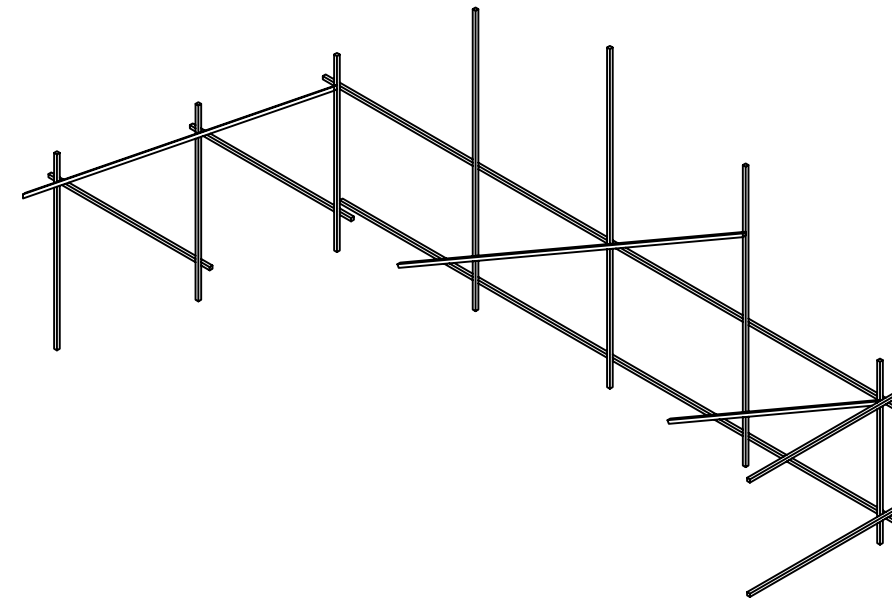
**JULIUS CAESAR**

Sheet Title: Detail - 8' Platform Steel SR & DS  
Date: 02/26/2021  
Scale: 1/4" = 1'-0"  
Designer: Brandon M. Newton  
Drawn By: Brandon M. Newton

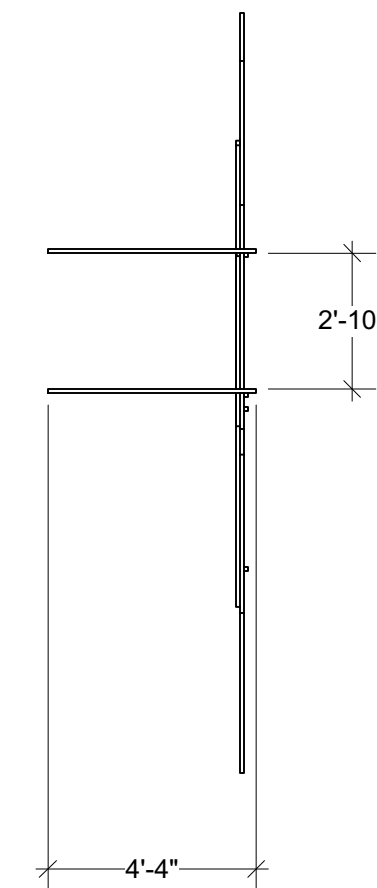
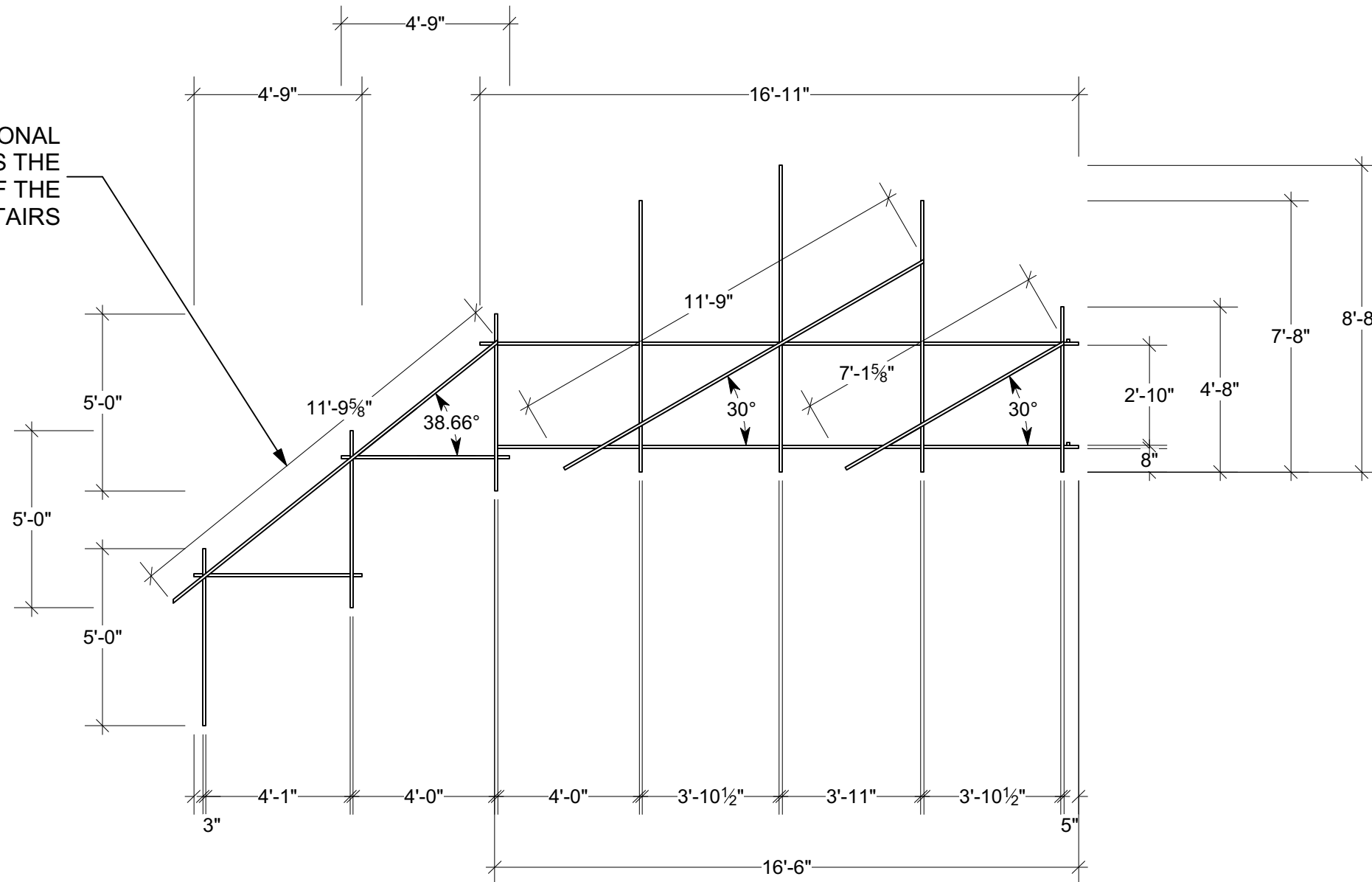
Sheet Number: DET-12  
of 15

# DETAIL - 8' PLATFORM STEEL US

- ALL STEEL IS 1" SQUARE TUBING
- ALL INTERSECTIONS NEEDS TO BE WELDED, NOT BOLTED
- ALL STEEL IS OPEN FRAMING



THIS DIAGONAL  
MATCHES THE  
ANGLE OF THE  
ESCAPE STAIRS



**Disclaimer:**  
 Drawings are only meant only to illustrate ideas and are not for construction. They must be evaluated and stamped by a certified technical director before construction. The designer does not assume any liability for structural integrity in the designs. The company selected to build the designs will assume all liability to its structural integrity and related consumer, crew and performer safety.

*Robert Anderson*  
 Scenic Designer Signature

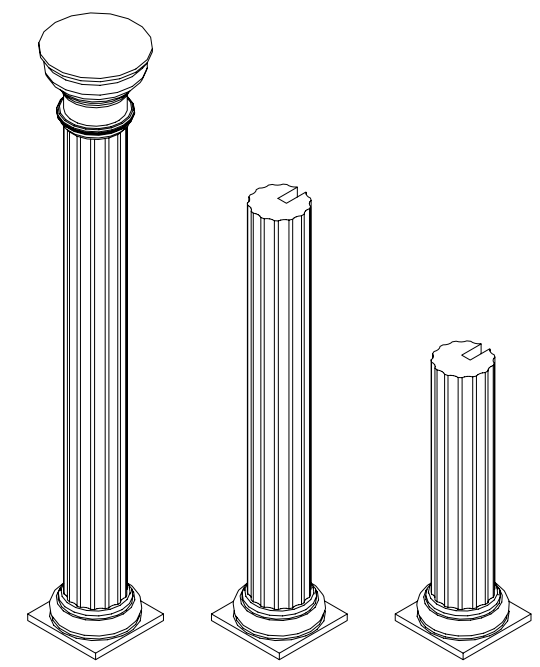
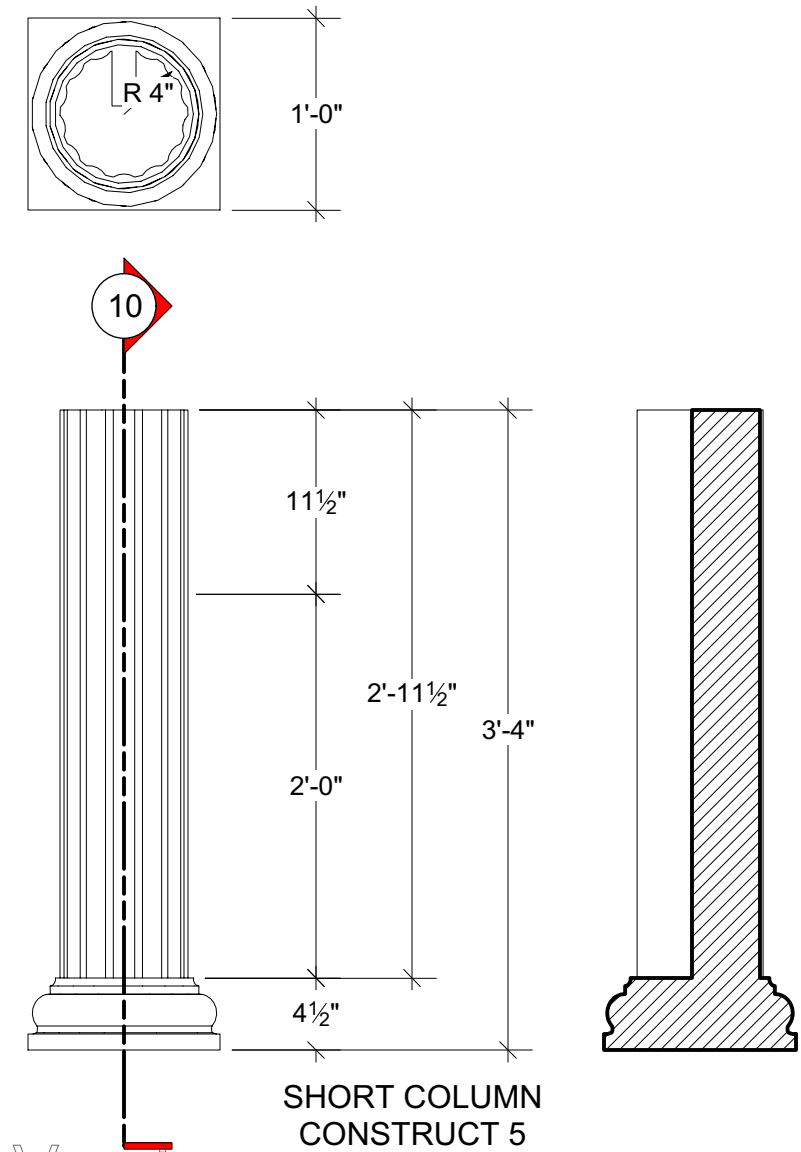
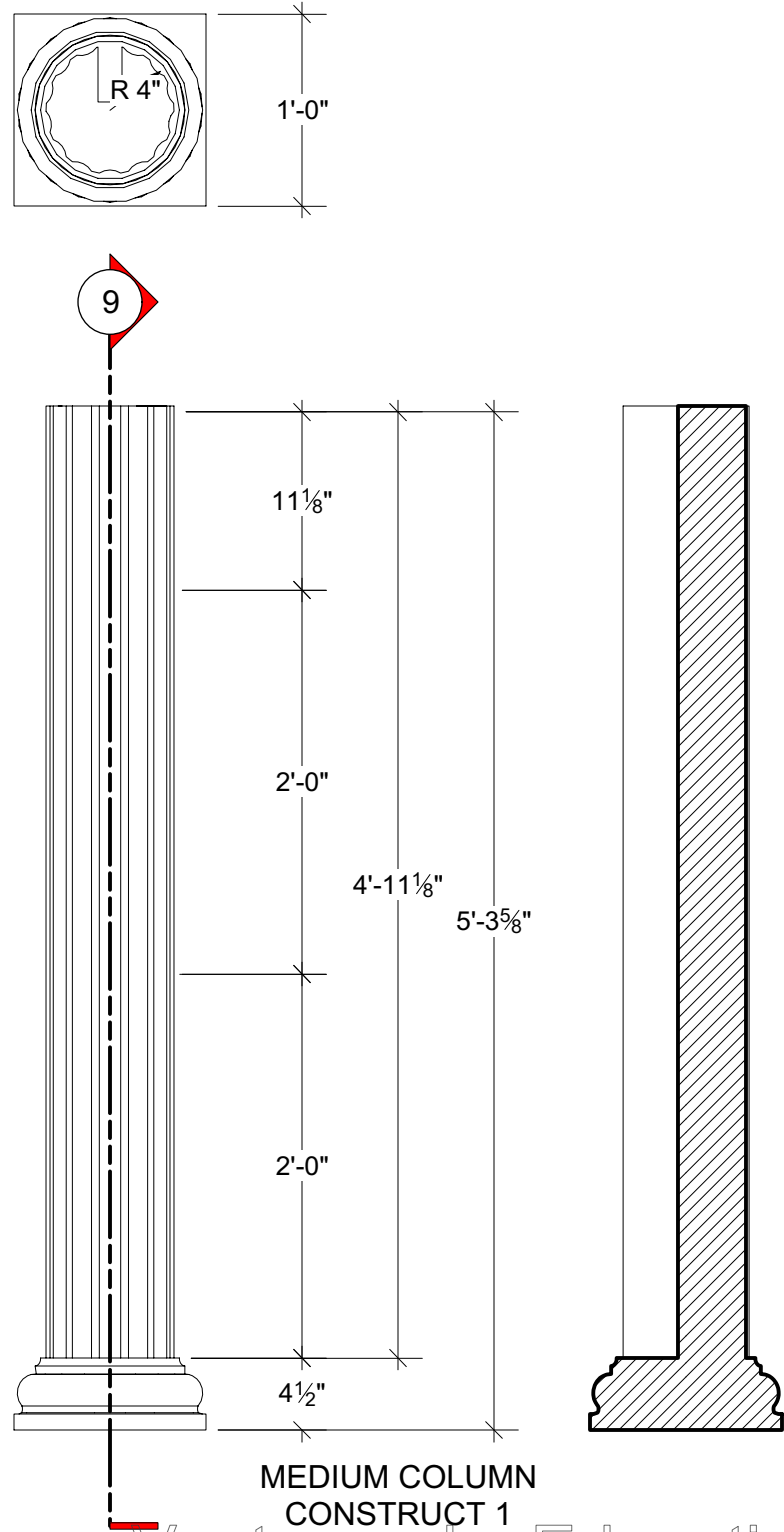
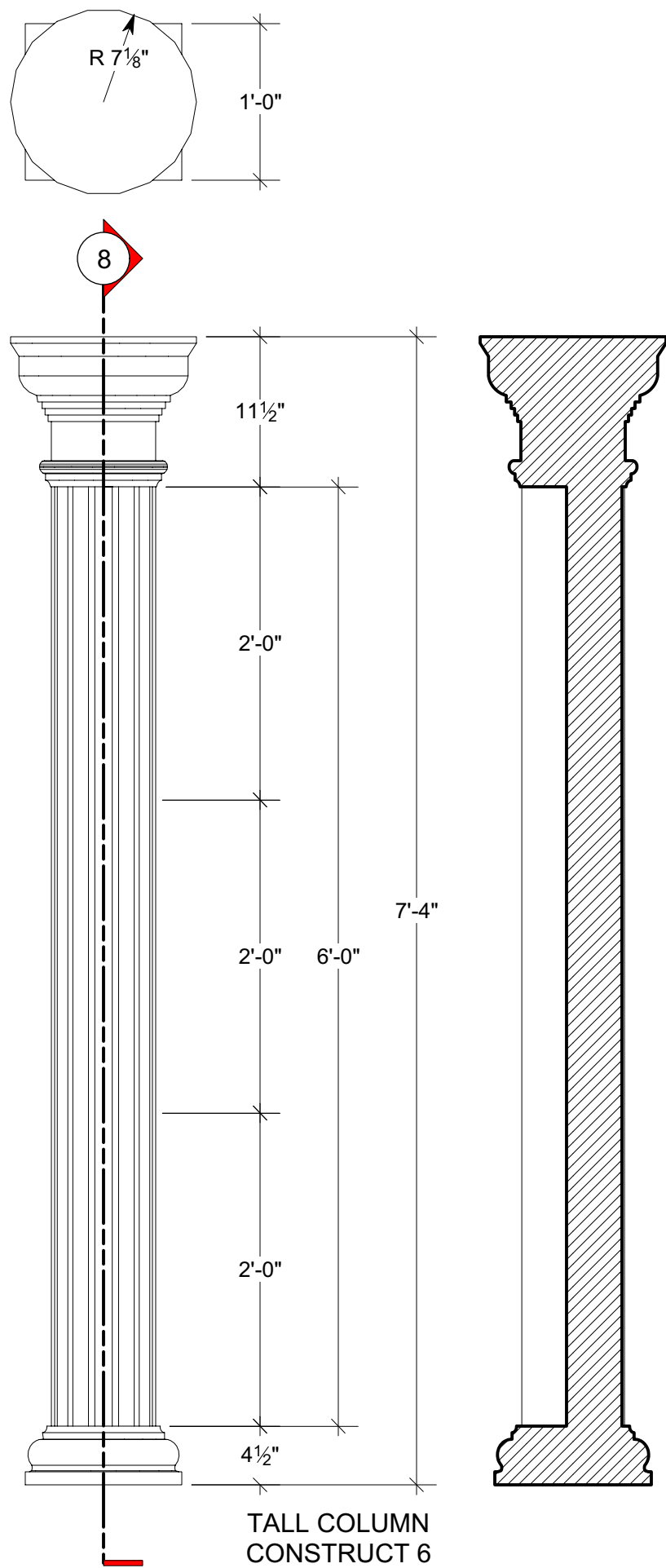
Venue:	Jeanine Larson Dobbins Conservatory
Stage:	Wendy Kerka Rust Flexible Theatre
Director:	Bart Williams
Technical Director:	Robert Anderson

## JULIUS CAESAR

Sheet Title:	Detail - 8' Platform Steel US
Date:	02/26/2021
Designer:	Brandon M. Newton
Scale:	1/4" = 1'-0"
Drawn By:	Brandon M. Newton

### DETAIL - COLUMNS

- CONSTRUCT 6 TALL COLUMNS
- CONSTRUCT 1 MEDIUM COLUMN
- CONSTRUCT 5 SHORT COLUMNS
- REFER TO PLATE DET-15 FOR CAPITAL AND BASE SPECIFICS
- SHAFT NEEDS TO BE WRAPPED IN FOAM SO PAINTS CAN CARVE IT
- CAPITAL AND BASE RELIEF NEEDS TO BE MADE OF FOAM SO PAINTS CAN CARVE IT



**Disclaimer:**  
Drawings are only meant only to illustrate ideas and are not for construction. They must be evaluated and stamped by a certified technical director before construction. The designer does not assume any liability for structural integrity in the designs. The company selected to build the designs will assume all liability to its structural integrity and related consumer, crew and performer safety.

Scenic Designer Signature  
*Robert Anderson*

Venue: Jeanine Larson Dobbins Conservatory  
Stage: Wendy Kerka Rust Flexible Theatre  
Director: Bart Williams  
Technical Director: Robert Anderson

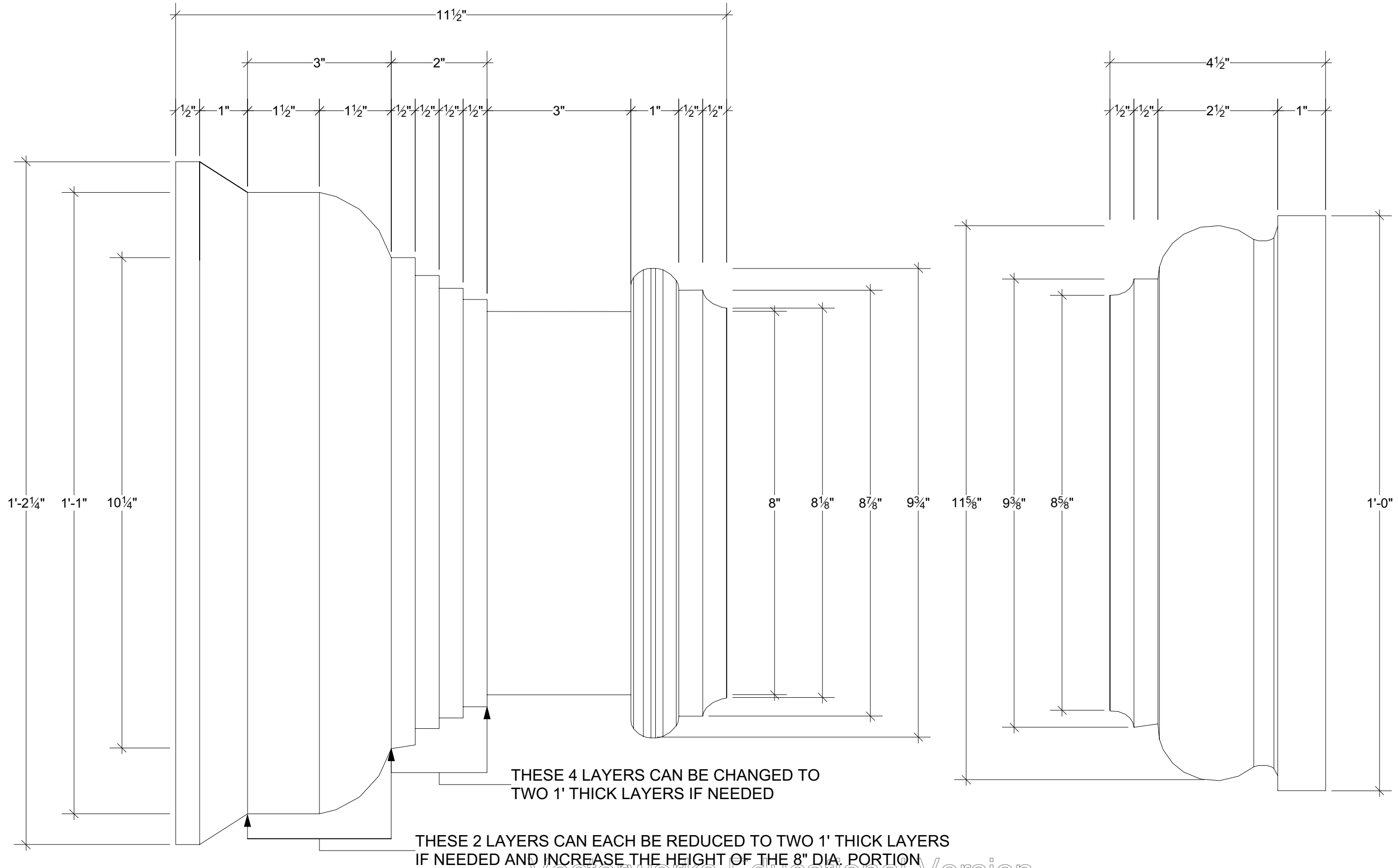
# JULIUS CAESAR

Sheet Title: Detail - Columns  
Date: 02/26/2021  
Scale: 1" = 1'-0"  
Designer: Brandon M. Newton  
Drawn By: Brandon M. Newton

Sheet Number: DET-14  
of 15

# DETAIL - COLUMNS

- CONSTRUCT 15 CAPITALS
- CONSTRUCT 6 BASES
- RELIEF NEEDS TO BE MADE OF FOAM SO PAINTS CAN CARVE IT



**Disclaimer:**  
 Drawings are only meant only to illustrate ideas and are not for construction. They must be evaluated and stamped by a certified technical director before construction. The designer does not assume any liability for structural integrity in the designs. The company selected to build the designs will assume all liability to its structural integrity and related consumer, crew and performer safety.

*Brandon M. Newton*  
 Scenic Designer Signature

Venue: Jeanine Larson Dobbins Conservatory  
 Stage: Wendy Kerka Rust Flexible Theatre  
 Director: Bart Williams  
 Technical Director: Robert Anderson

**JULIUS CAESAR**

Sheet Title: Detail - Column Capital and Base  
 Date: 02/26/2021  
 Designer: Brandon M. Newton  
 Scale: 6" = 1'-0"  
 Drawn By: Brandon M. Newton  
 Sheet Number: DET-15  
 of 15