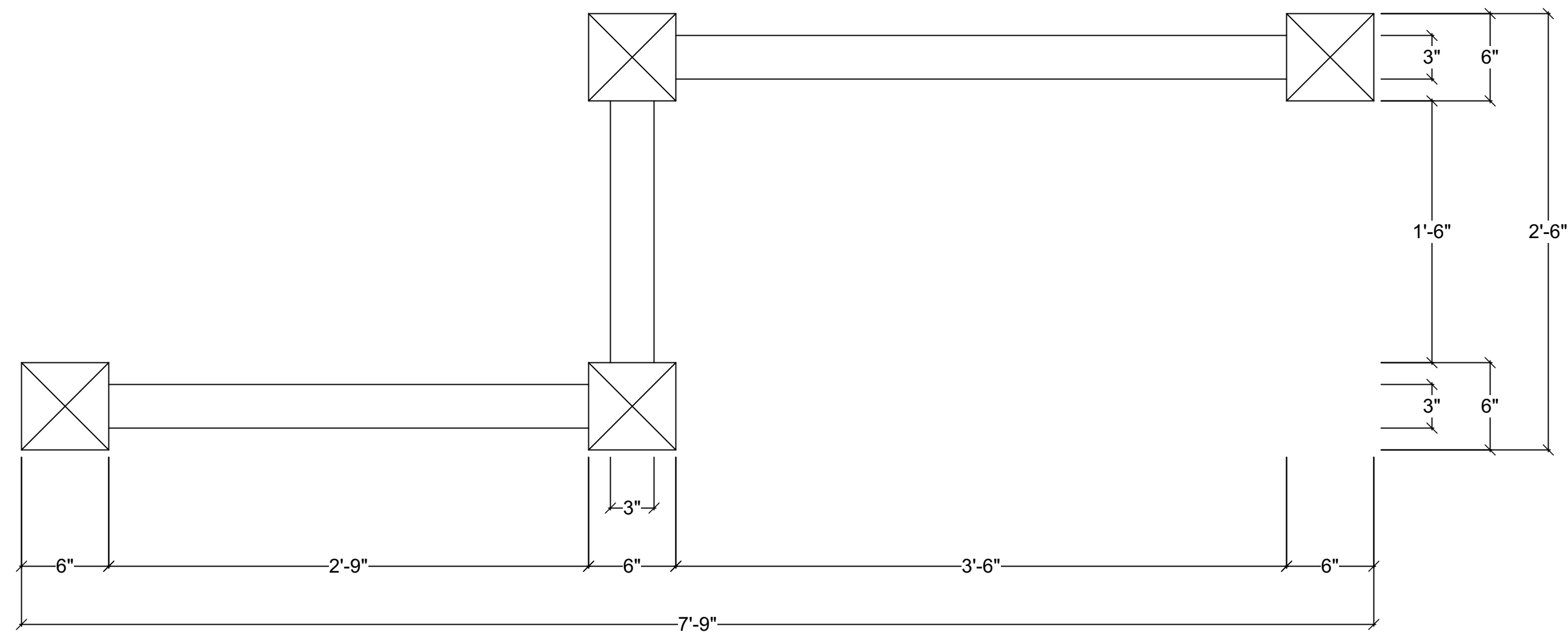
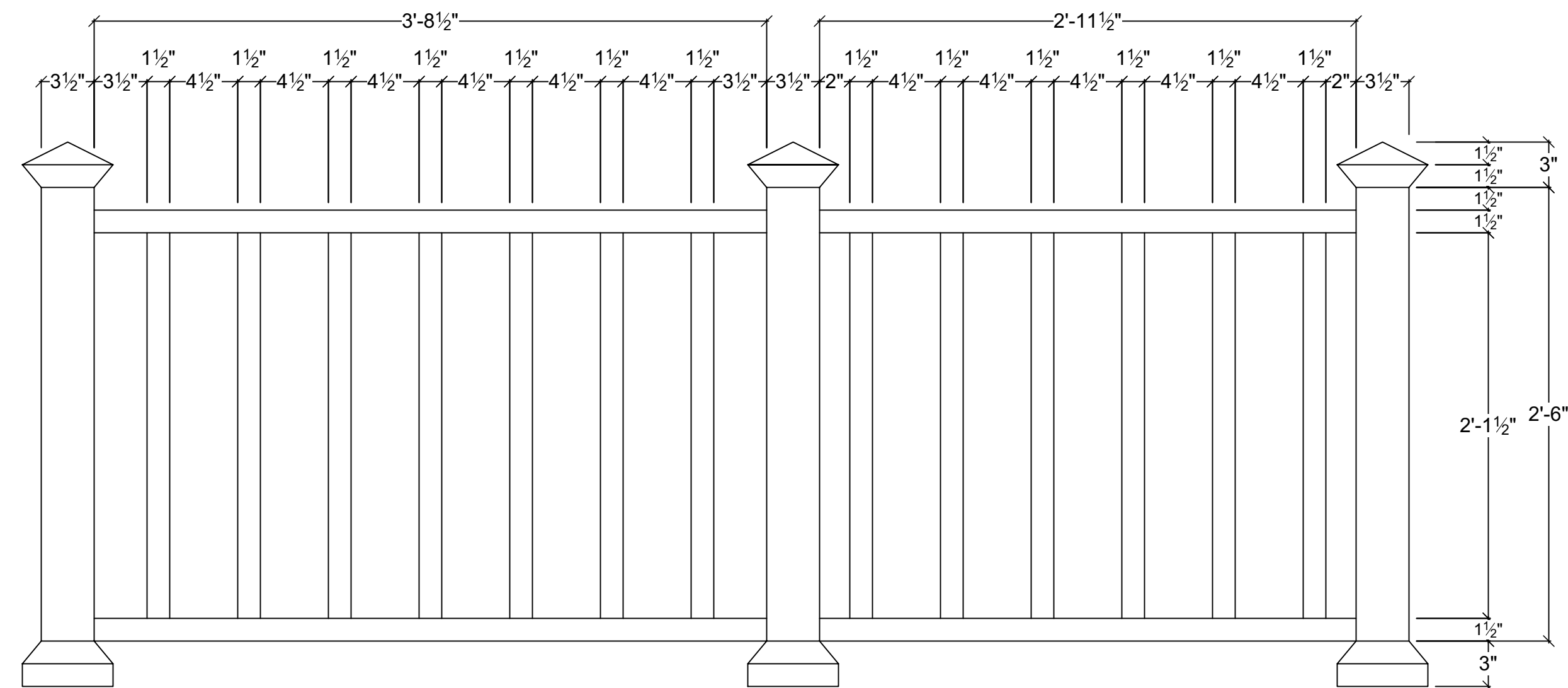


DESIGNER DRAFTING - PORCH RAILING

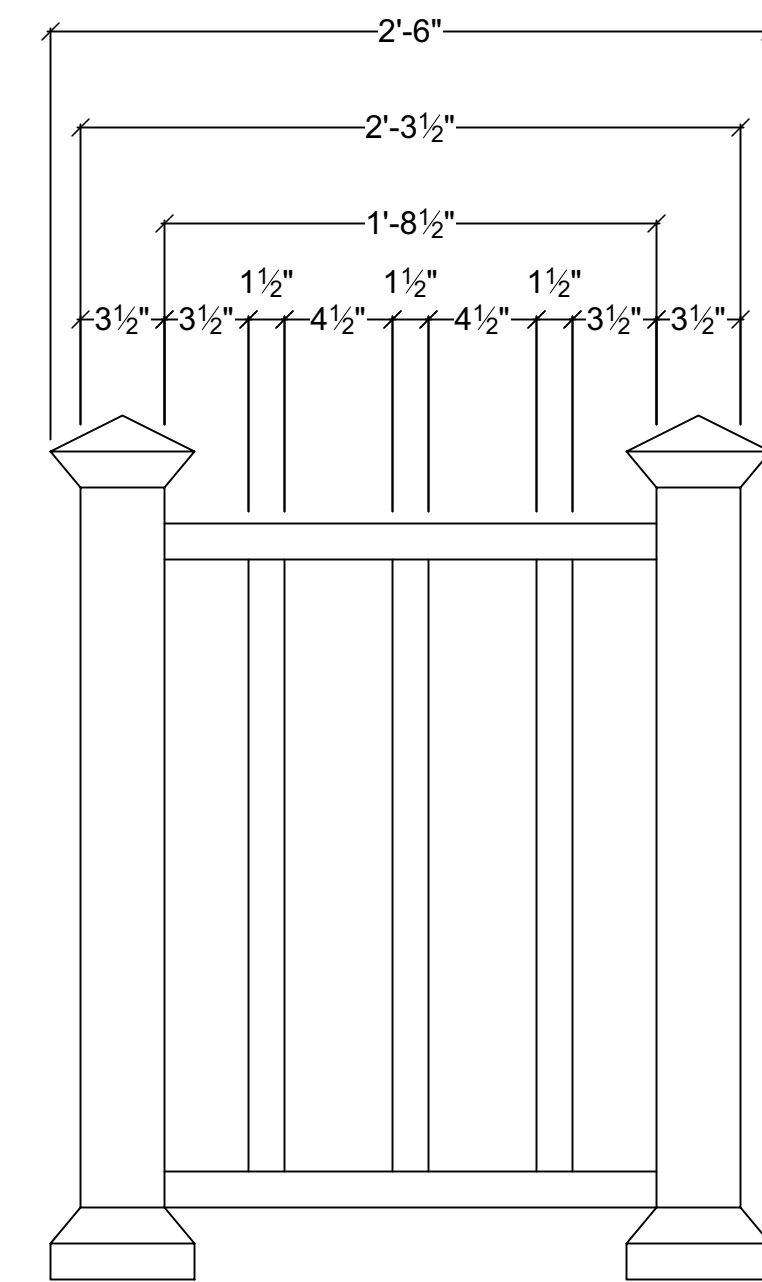
- CONSTRUCT 1
- WILL BE LEANED ON



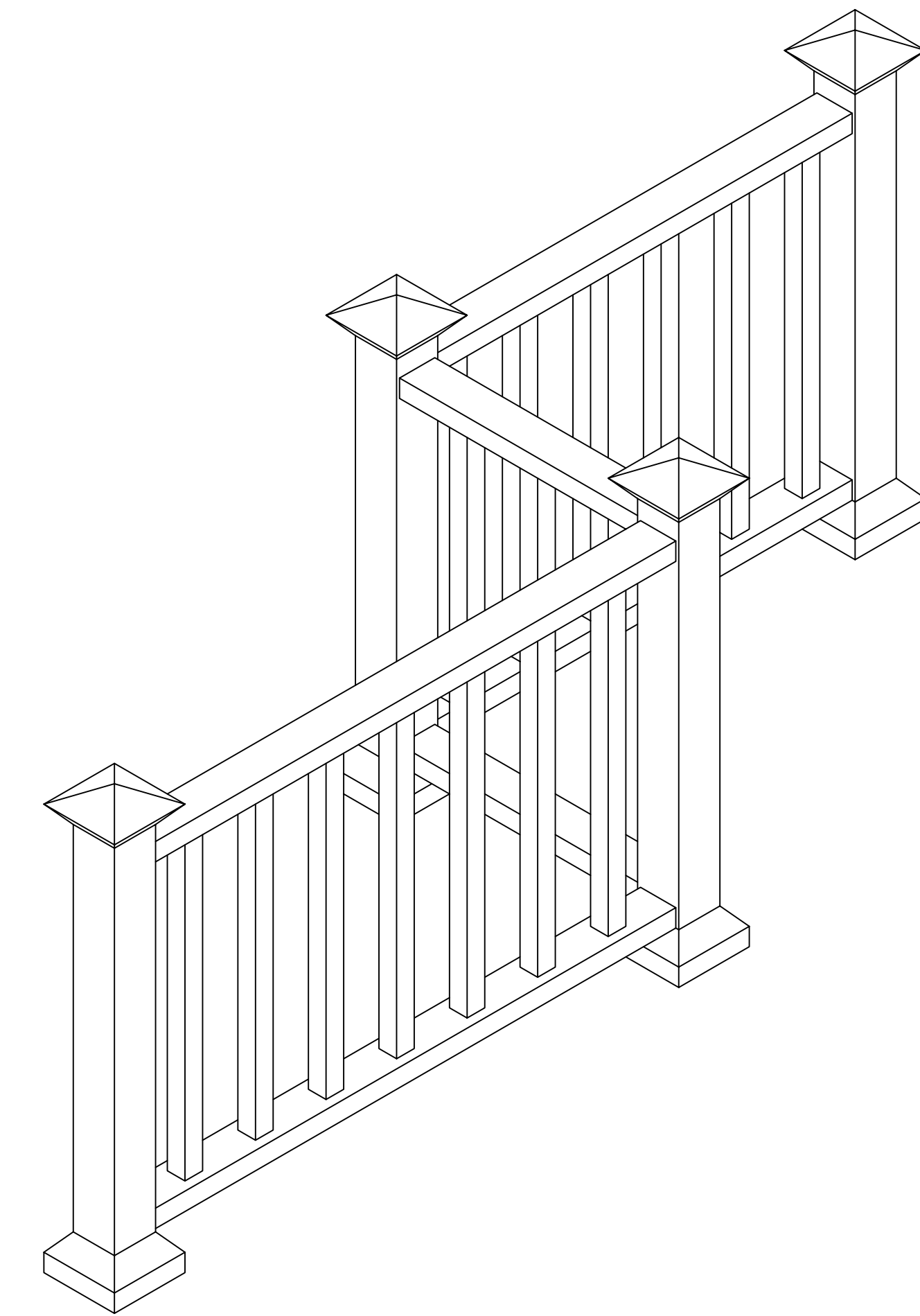
PORCH RAILING TOP VIEW



PORCH RAILING SIDE VIEW



PORCH RAILING FRONT VIEW



PORCH RAILING ISOMETRIC VIEW

Disclaimer:
 Drawings are only meant to illustrate ideas and are not intended for construction. All elements shown in the design must be evaluated and stamped by a certified technical director before construction. The designer does not assume any liability for structural integrity in the designs. The company selected to build the Designs will assume all liability to its structural integrity and related consumer, crew and performer safety.

David Arisco
 Scenic Designer Signature

Venue:	Actor's Playhouse
Stage:	Balcony Theatre
Director:	David Arisco
Technical Director:	Gene Seyffer

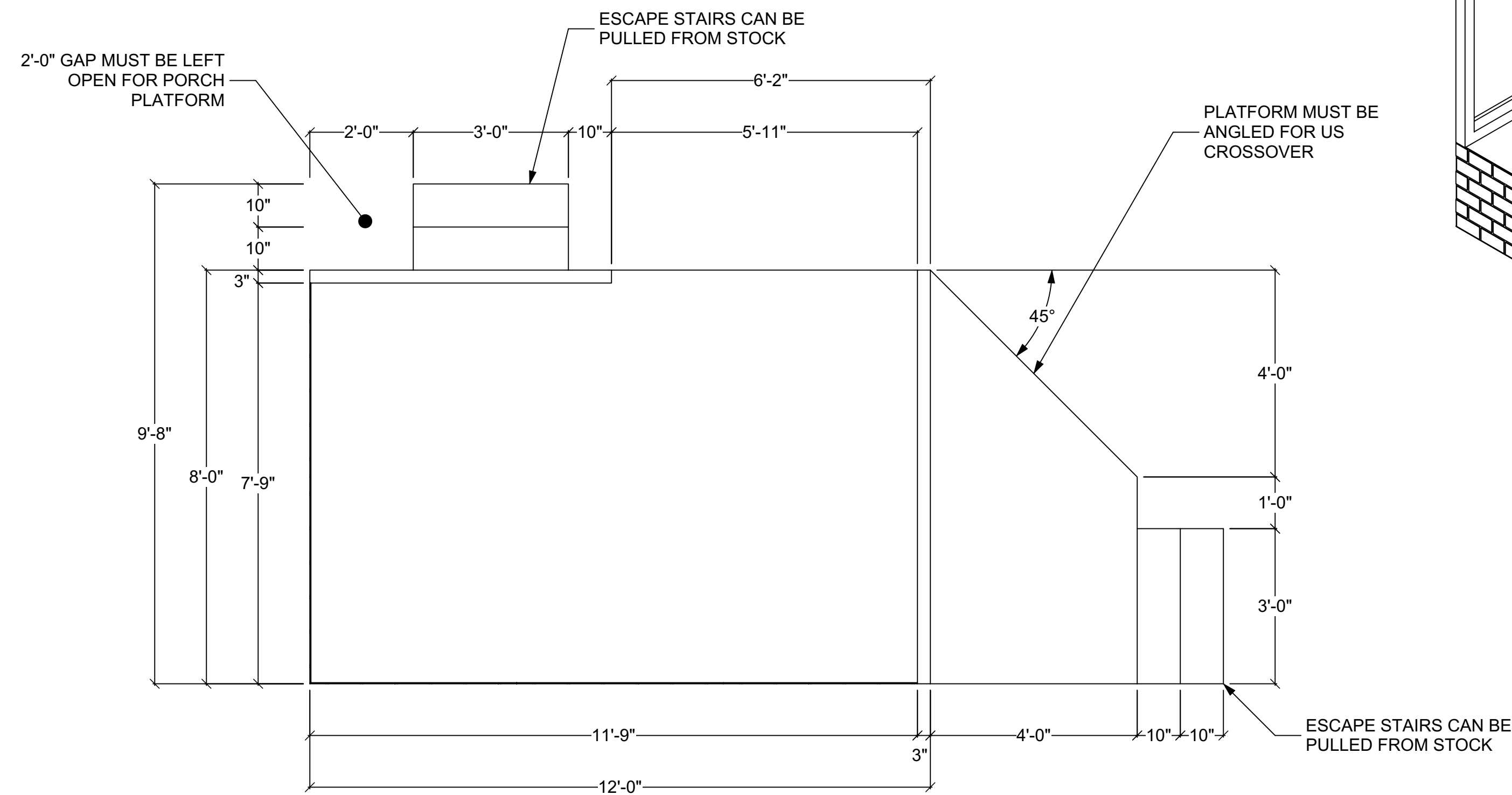
Show Title:
SWEET GOATS & BLUEBERRY SEÑORITAS

Sheet Title:	Designer Drafting - Porch Railing
Date:	14 July 2023
Designer:	Brandon M. Newton
Scale:	1 1/2" = 1'-0"
Drawn By:	Brandon M. Newton

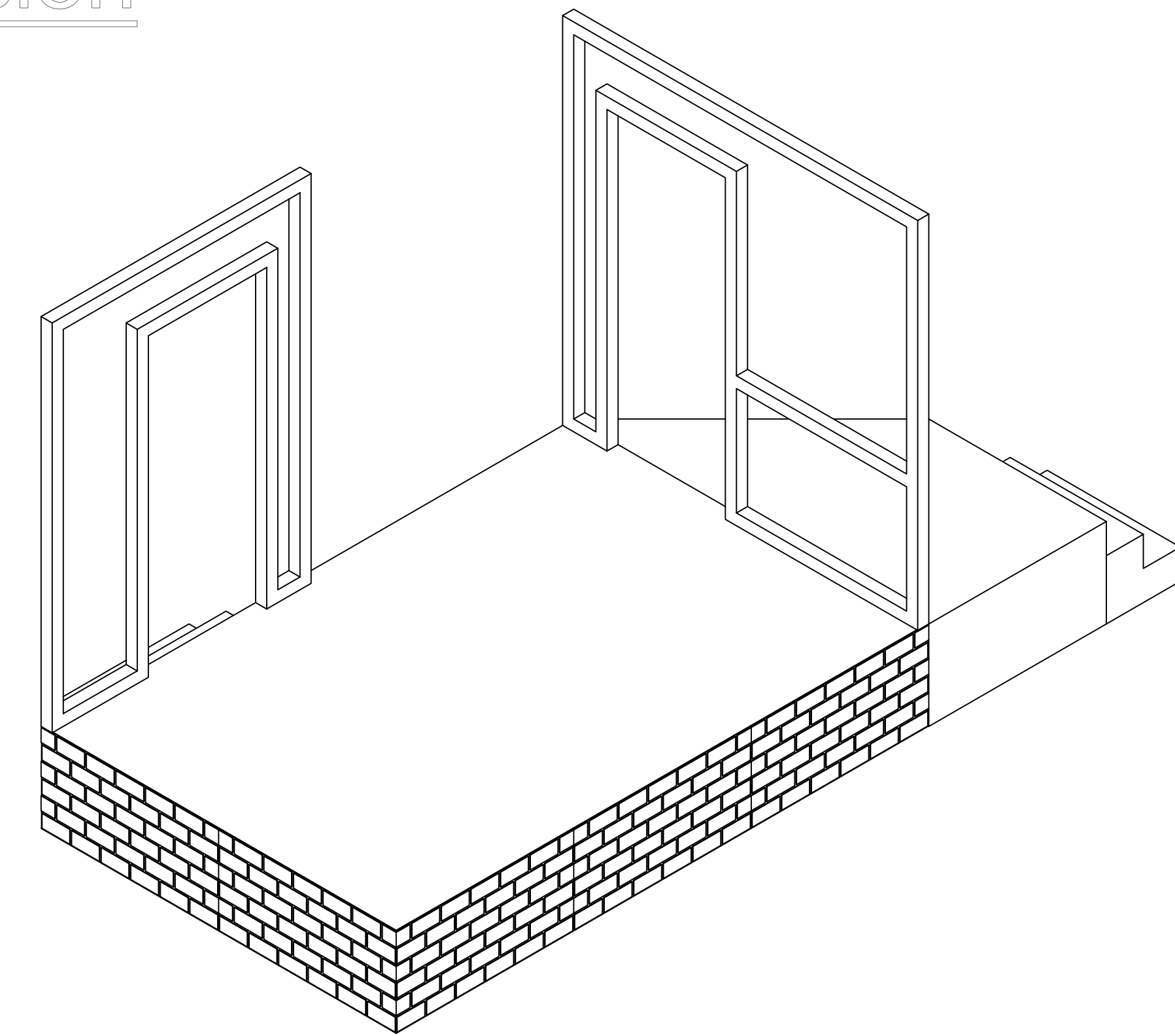
Sheet Number:
DES-2
 of 9

DESIGNER DRAFTING - BAKERY PLATFORM

- CONSTRUCT 1
- FRAMES NEED TO BE BACKED WITH WHITE SCRIM (WILL BE PAINTED)
- FRAMES CAN HAVE CABLE ATTACHED TO GRID IF ADDITIONAL BRACING IS NEEDED
- ALL SEAMS MUST BE HIDDEN
- SEE BELOW SAMPLES FOR BRICK AND TRIM



BAKERY PLATFORM TOP VIEW

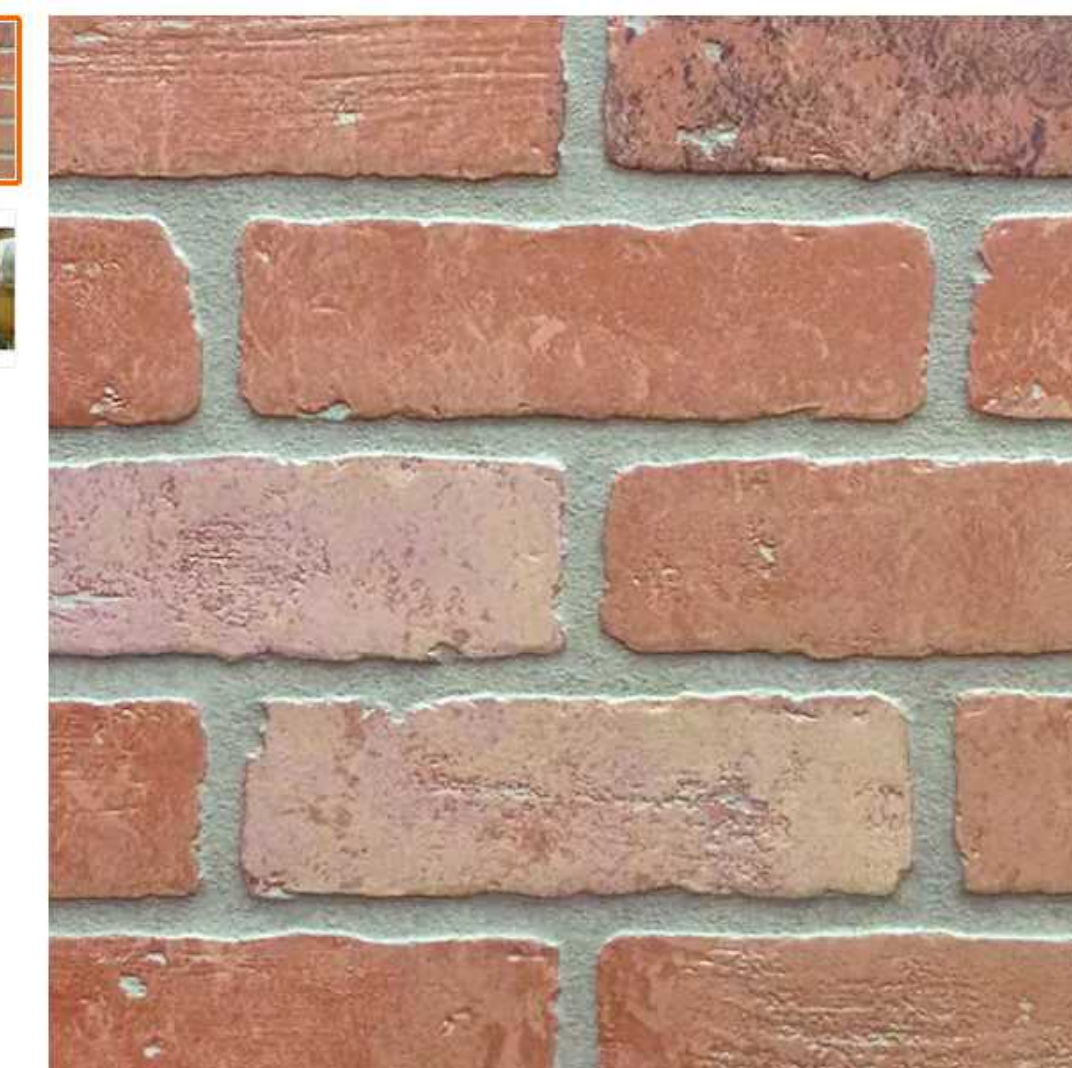


BAKERY PLATFORM ISOMETRIC VIEW

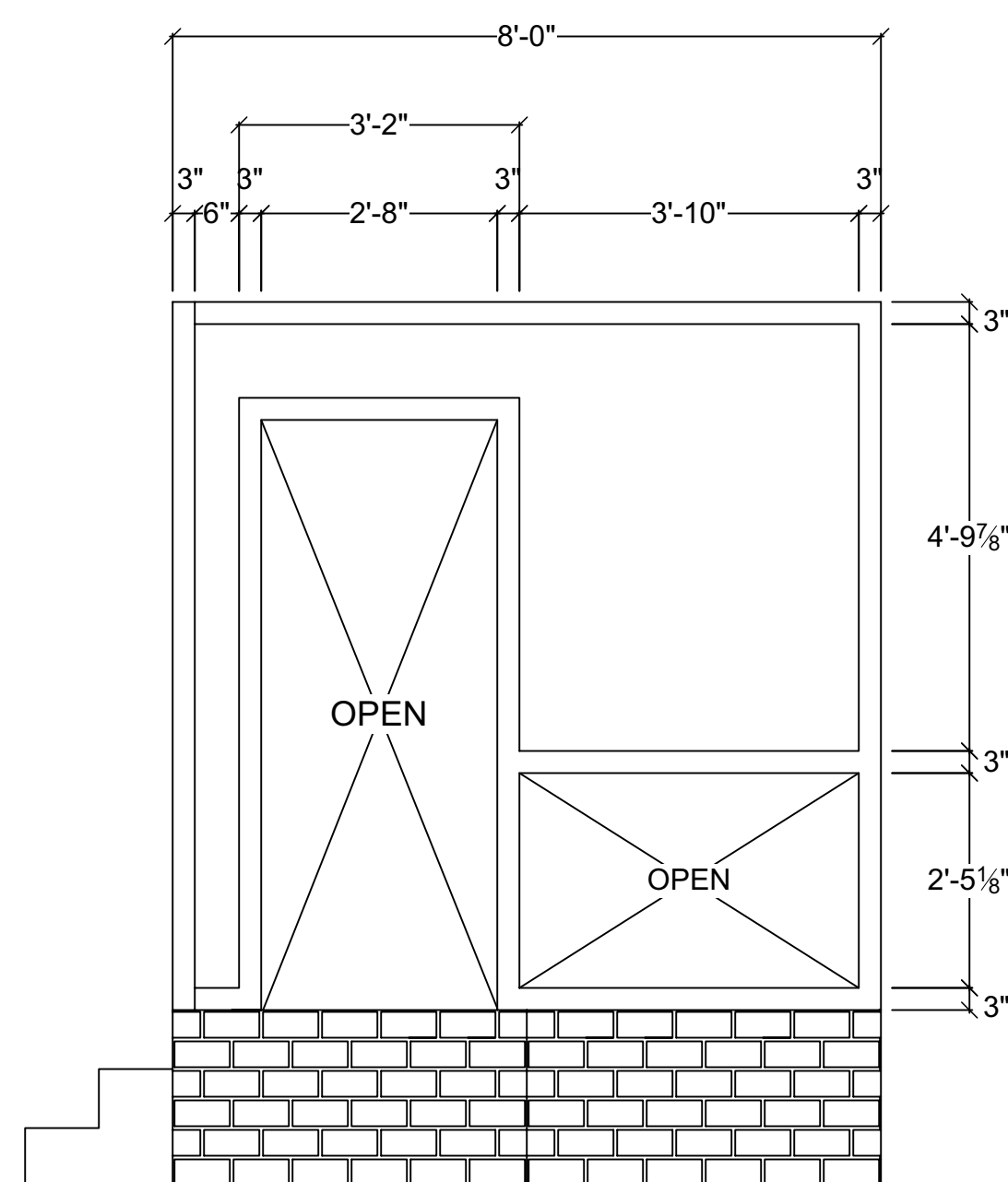
Woodgrain Millwork
WM RB03 1-1/16 in. x 3-1/2 in. Wood Prime Finger-Jointed Casing
 ★★★★★ (96) Questions & Answers (4)



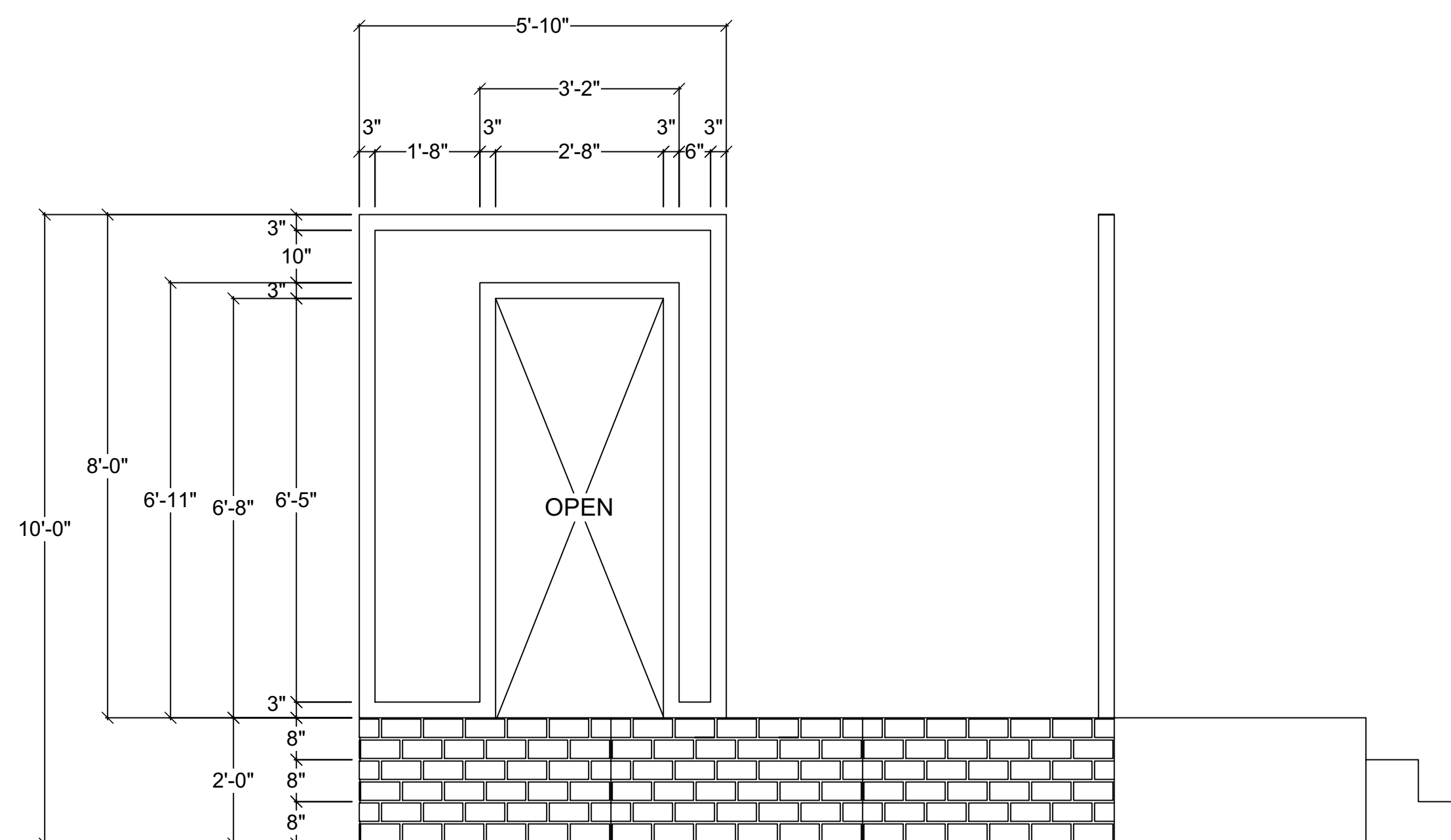
1/4 in. x 48 in. x 96 in. HDF Kingston Brick Panel
 ★★★★★ (187) Questions & Answers (230)



Hover Image to Zoom



BAKERY PLATFORM SIDE VIEW



BAKERY PLATFORM FRONT VIEW

Disclaimer:
 Drawings are only meant to illustrate ideas and are not for construction. All elements shown in the design must be evaluated and stamped by a certified technical director before construction. The designer does not assume any liability for structural integrity in the designs. The company selected to build the Designs will assume all liability to its structural integrity and related consumer, crew and performer safety.

David Arisco
 Scenic Designer Signature

Venue:	Actor's Playhouse
Stage:	Balcony Theatre
Director:	David Arisco
Technical Director:	Gene Seyffer

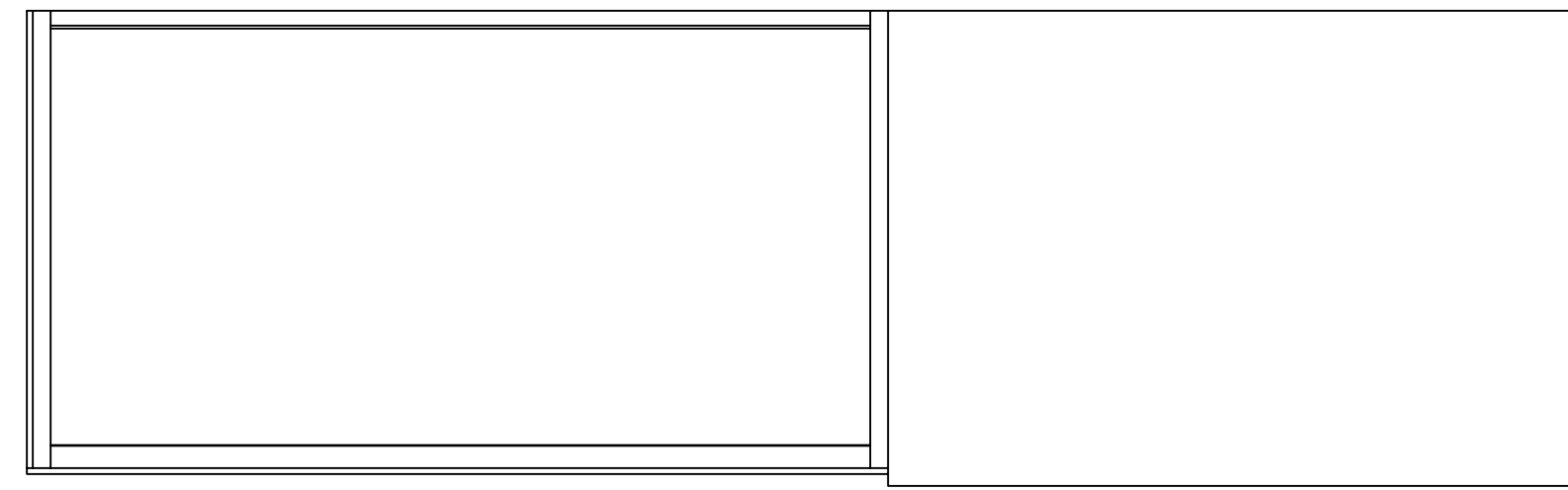
Show Title:
SWEET GOATS & BLUEBERRY SEÑORITAS

Sheet Title:	Designer Drafting - Bakery Platform
Date:	14 July 2023
Designer:	Brandon M. Newton
Scale:	1/2" = 1'-0"
Drawn By:	Brandon M. Newton

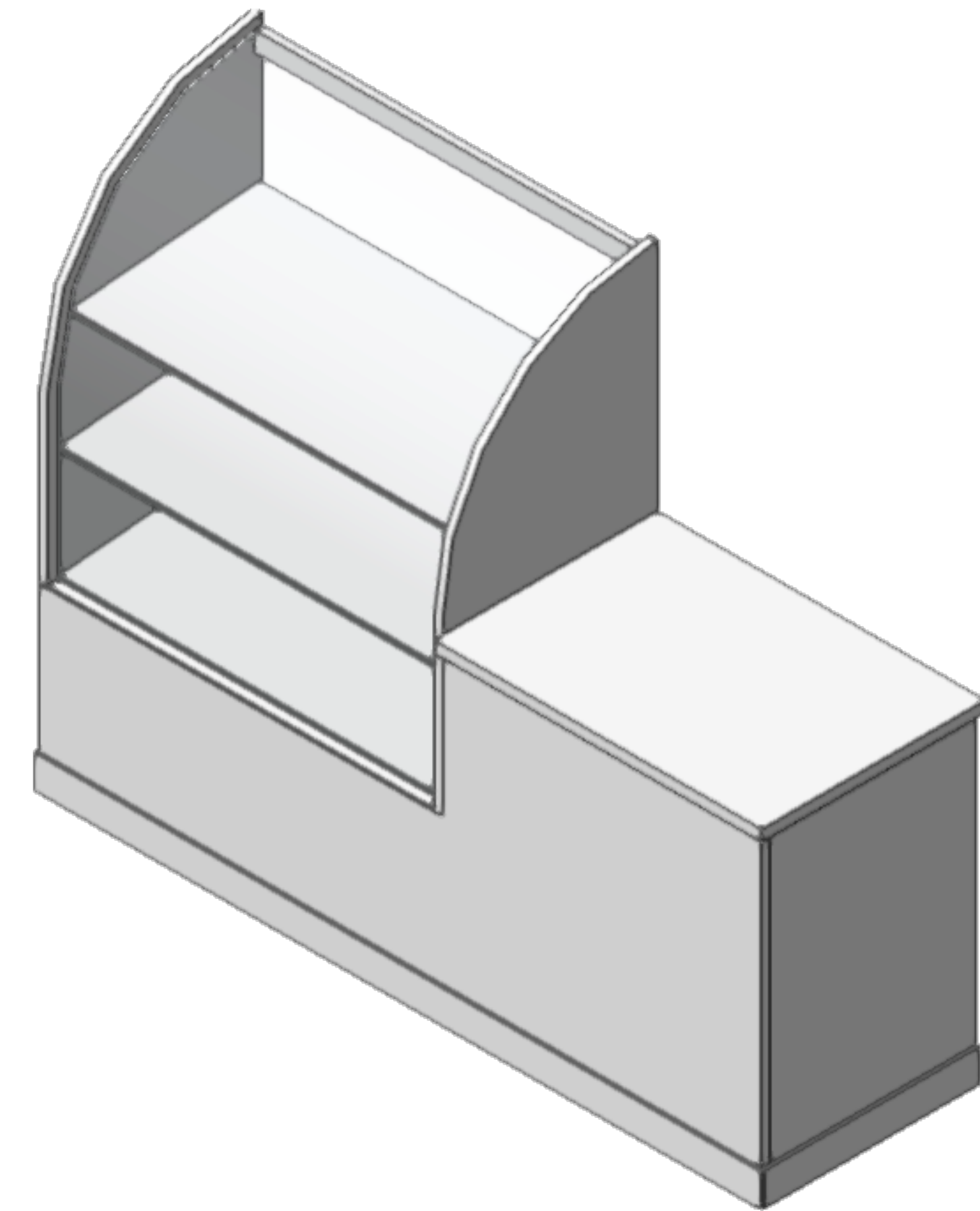
Sheet Number:
DES-3 of 9

DESIGNER DRAFTING - PASTRY CASE

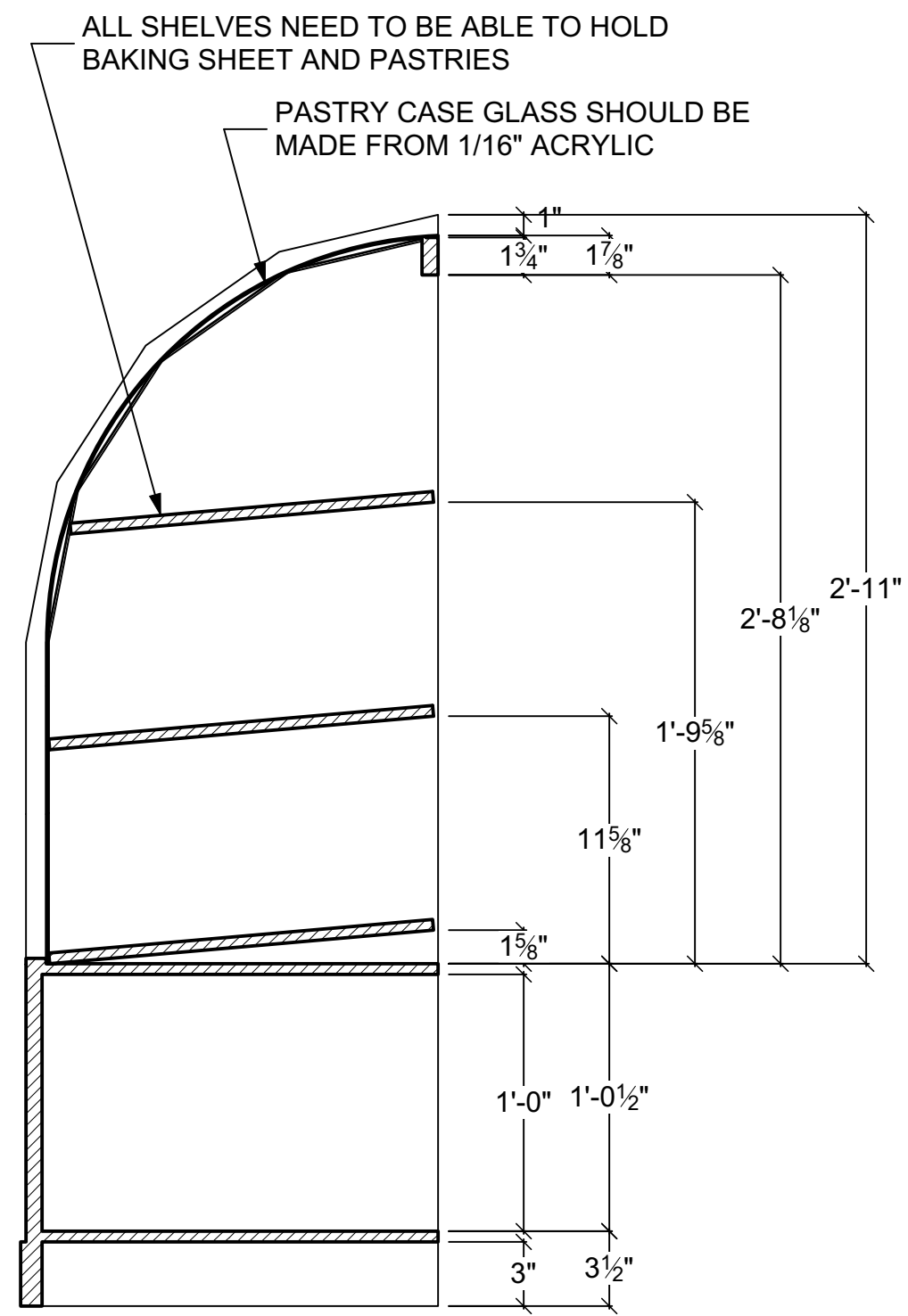
- CONSTRUCT 1
- 1/16" THICK ACRYLIC SHOULD BE USED FOR GLASS
- DESIGN IS DRAFTED USING 3/4" & 1/2" PLYWOOD CONSTRUCTION
 - EXACT CONSTRUCTION TBD BY TD, BUT MUST REMAIN OPEN FOR PROP STORAGE
- ALL SEAMS, STAPLES, AND SCREW HEADS MUST BE HIDDEN



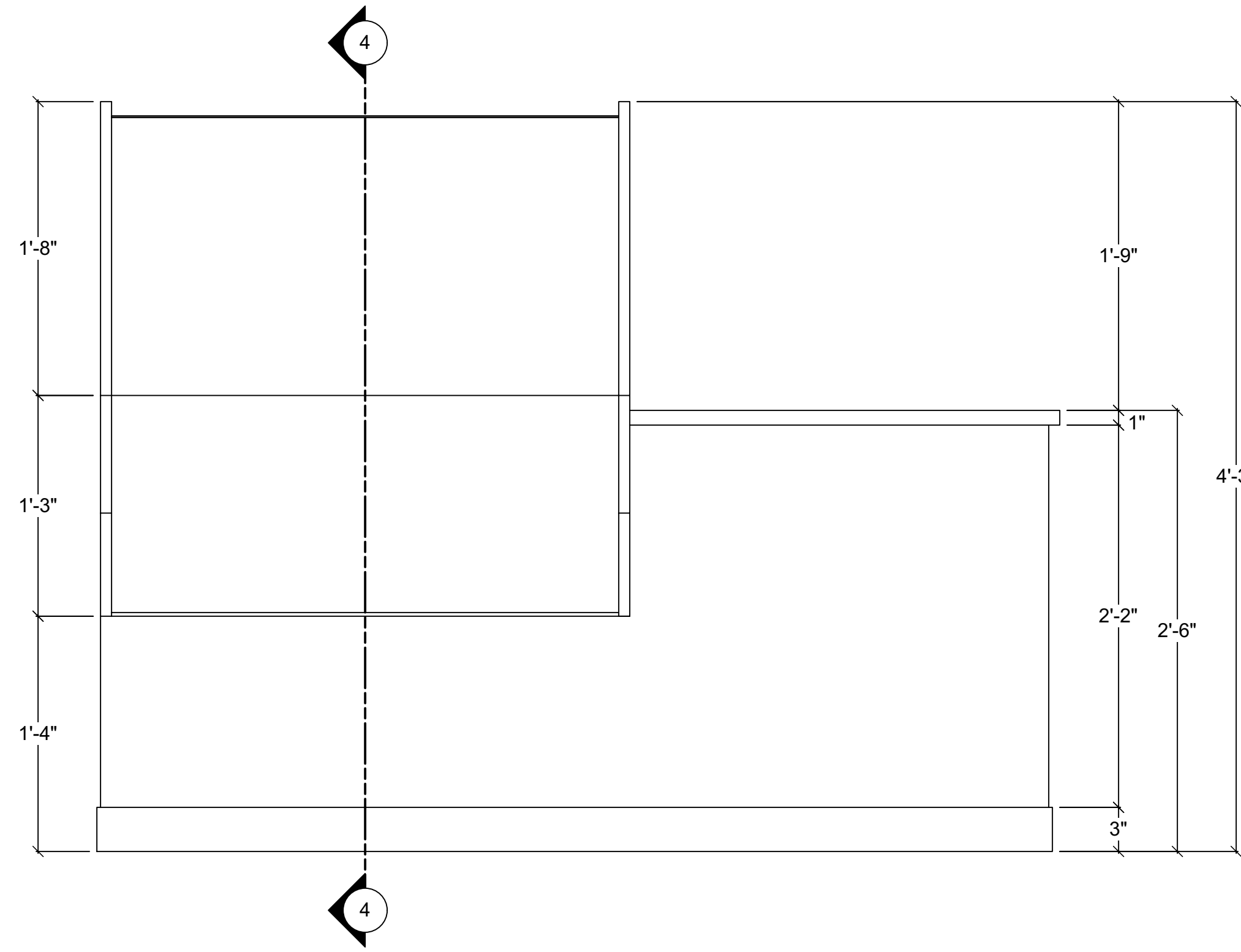
PASTRY CASE TOP VIEW



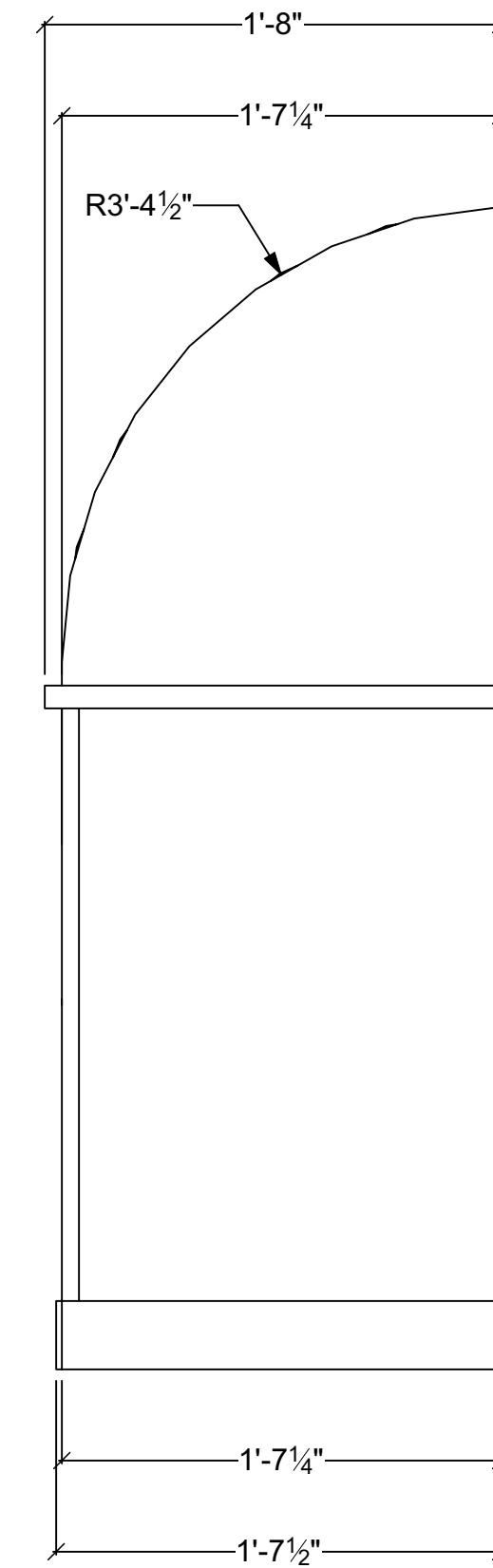
PASTRY CASE ISOMETRIC VIEW



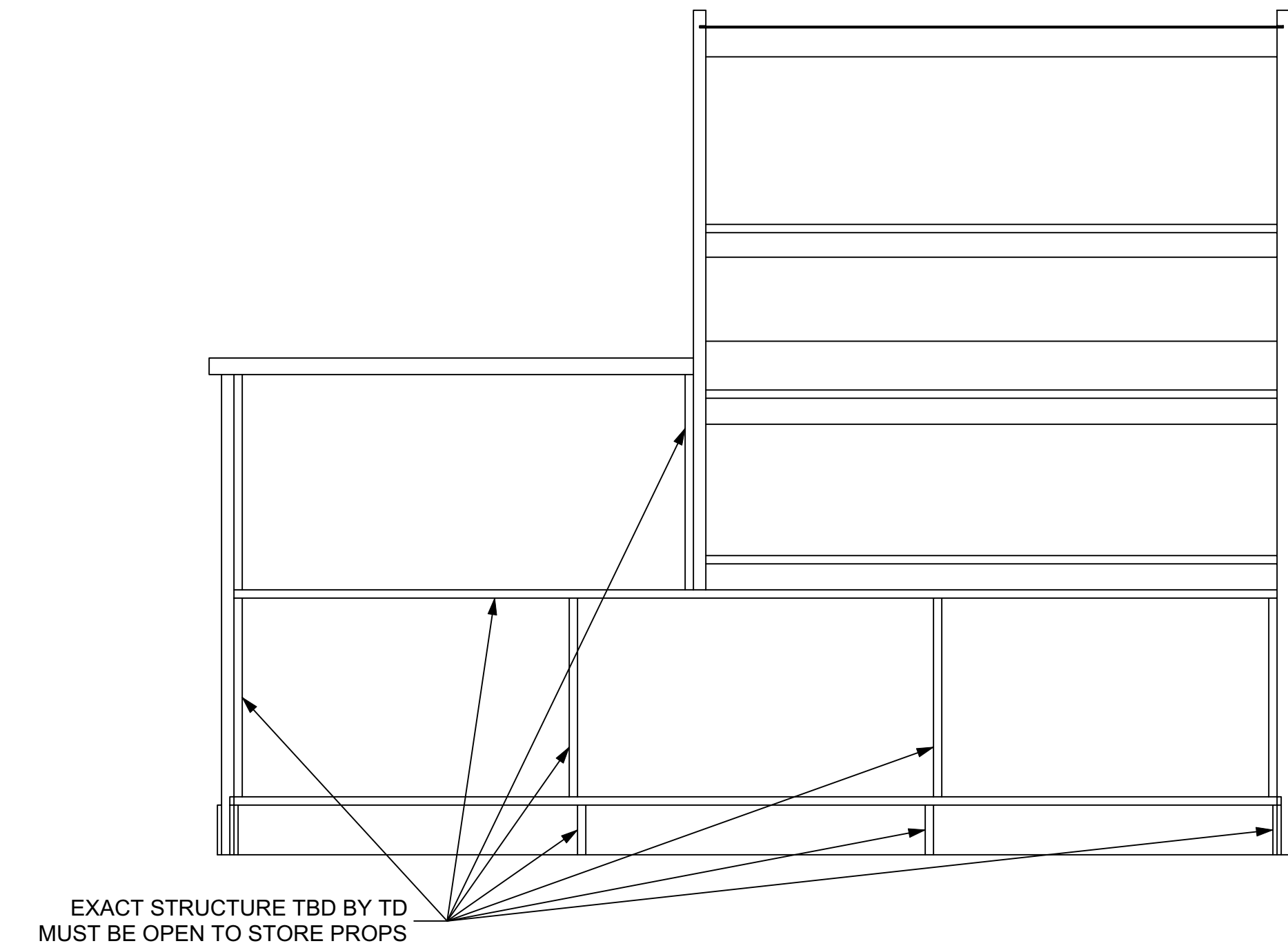
SECTION 4



PASTRY CASE FRONT VIEW



PASTRY CASE SIDE VIEW



PASTRY CASE BACK VIEW

Disclaimer:
 Drawings are only meant to illustrate ideas and are not intended for construction. Elements shown in the design must be evaluated and stamped by a certified technical director before construction. The designer does not assume any liability for structural integrity in the designs. The company selected to build the Designs will assume all liability to its structural integrity and related consumer, crew and performer safety.

David Arisco
 Scenic Designer Signature

Venue: Actor's Playhouse
 Stage: Balcony Theatre
 Director: David Arisco
 Technical Director: Gene Seyffer

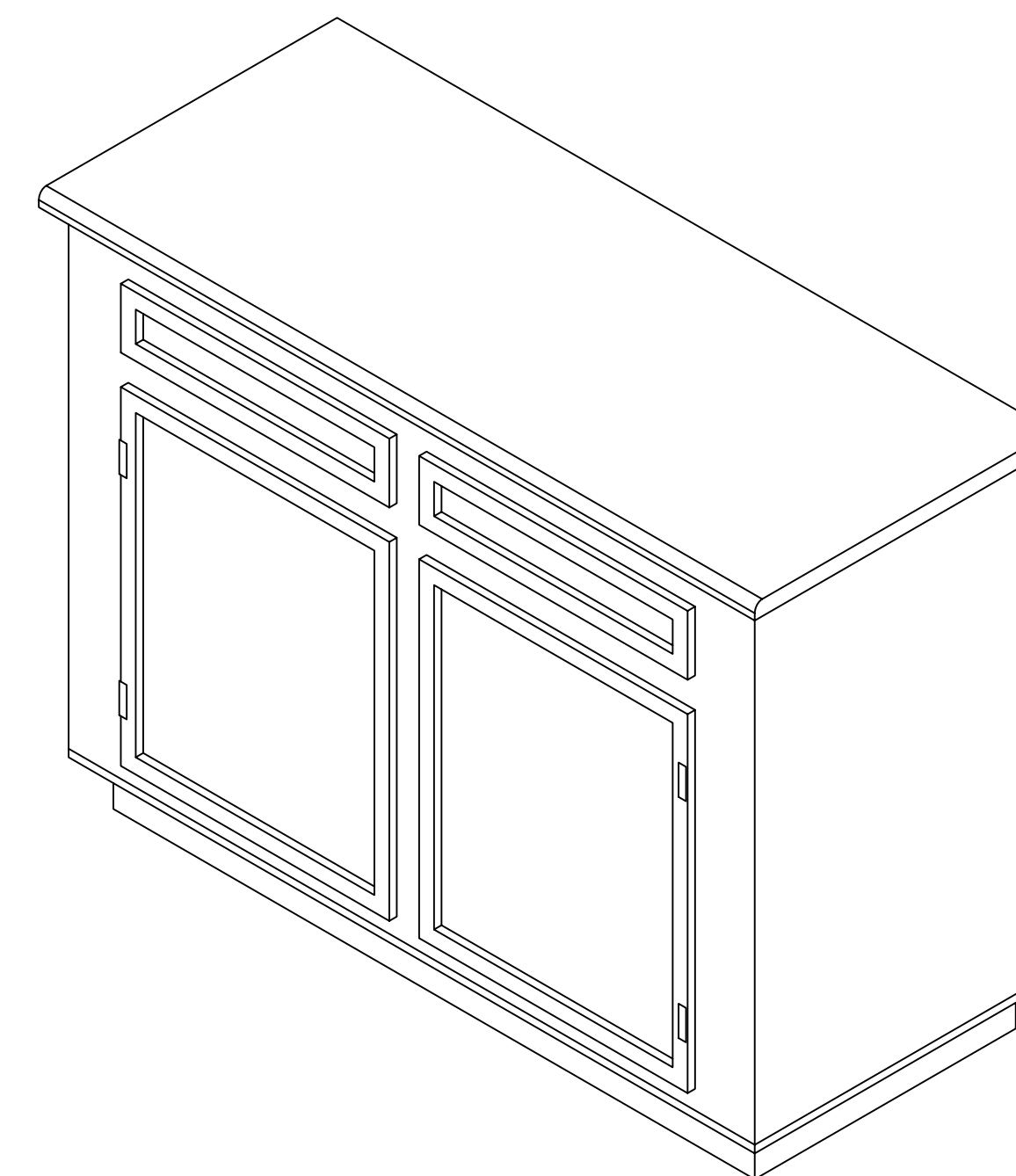
Show Title: SWEET GOATS & BLUEBERRY SEÑORITAS

Sheet Title: Designer Drafting - Pastry Case
 Date: 14 July 2023
 Designer: Brandon M. Newton
 Scale: 1 1/2" = 1'-0"
 Drawn By: Brandon M. Newton

Sheet Number: DES-4 of 9

DESIGNER DRAFTING - COUNTER

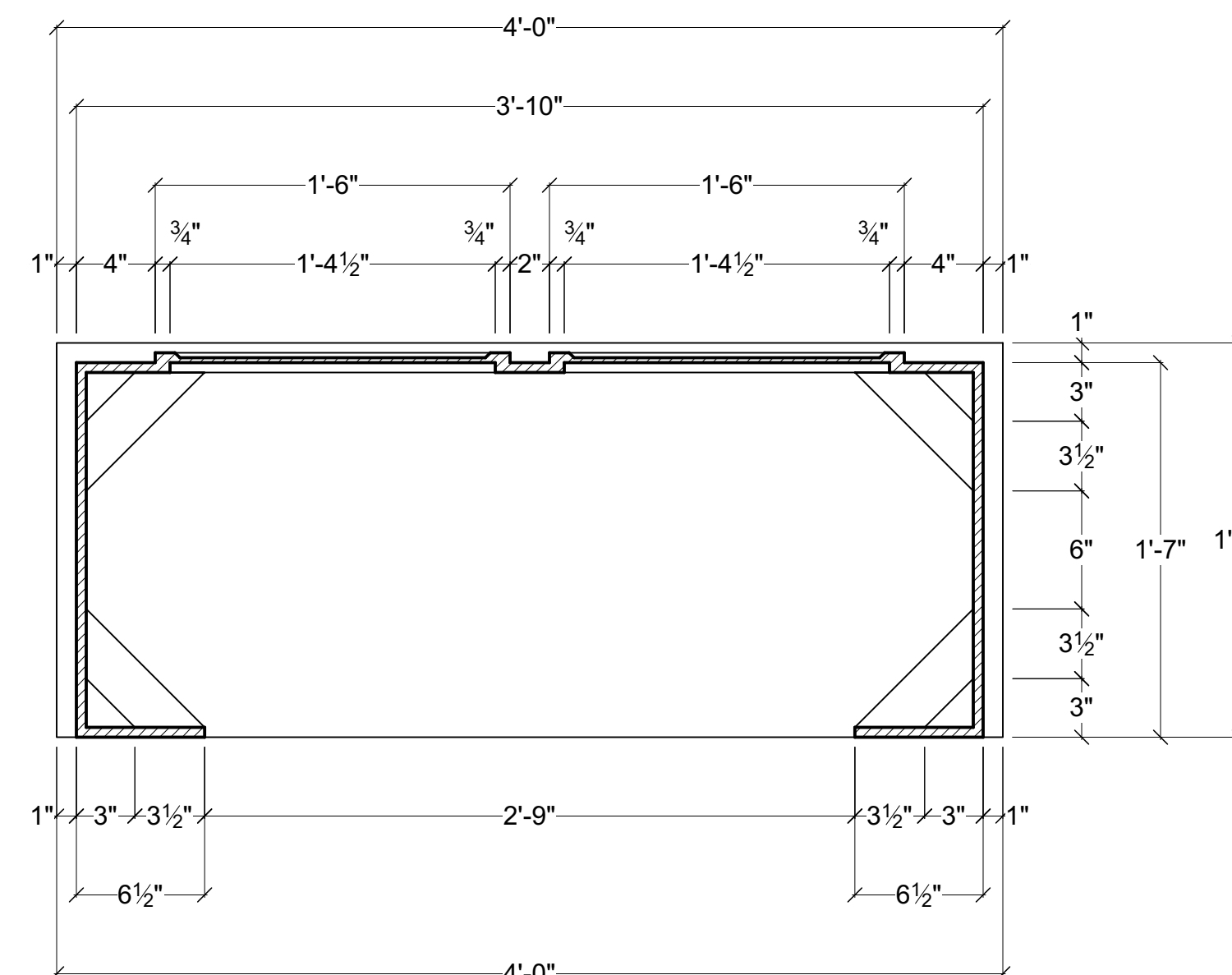
- CONSTRUCT 2
- UNIT IS SYMMETRICAL
- DESIGN IS DRAFTED USING 1/2" PLYWOOD CONSTRUCTION
- EXACT CONSTRUCTION TBD BY TD
- BACK MUST BE OPEN FOR PROP STORAGE
- ALL SEAMS, STAPLES, AND SCREW HEADS MUST BE HIDDEN



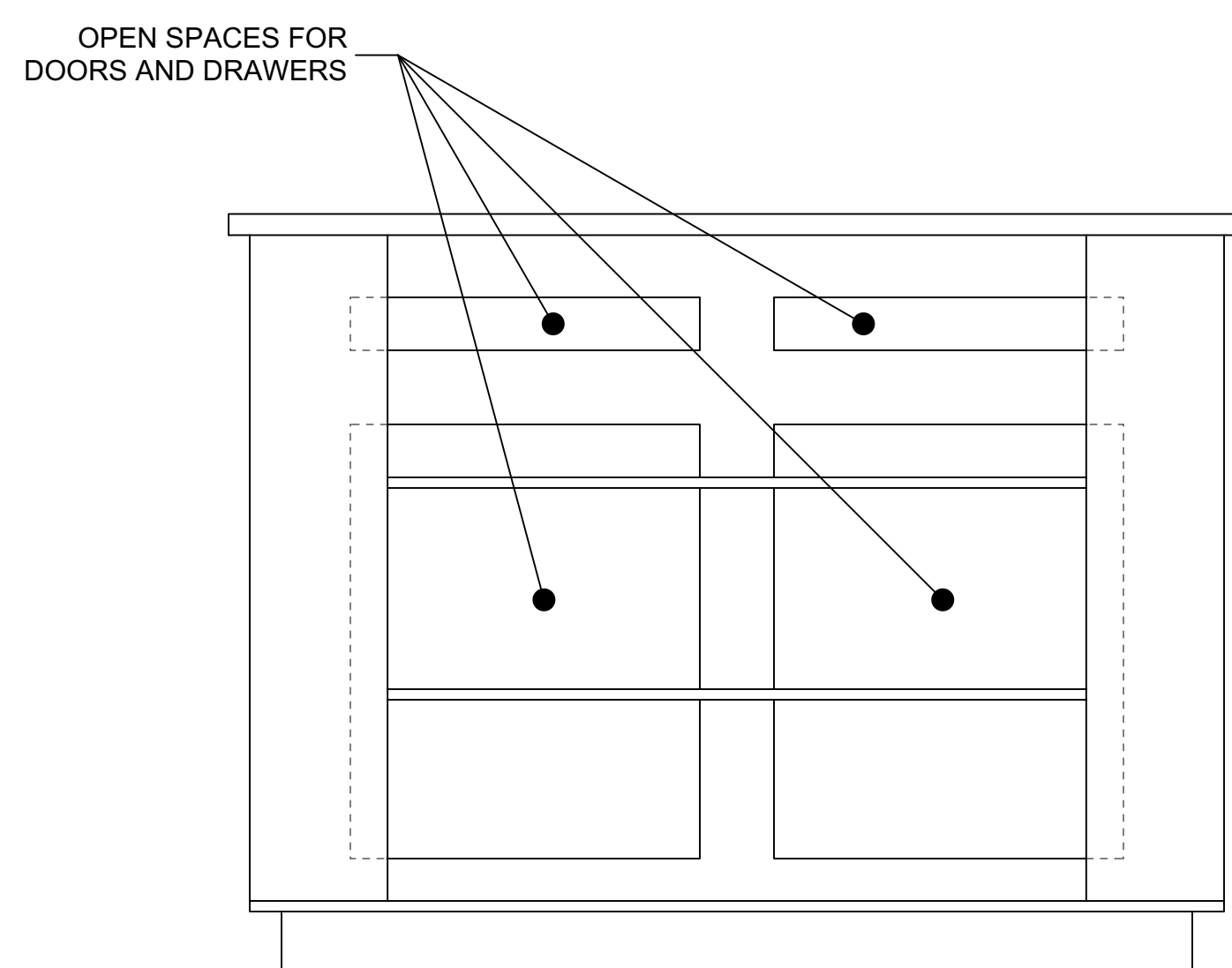
COUNTER ISOMETRIC VIEW



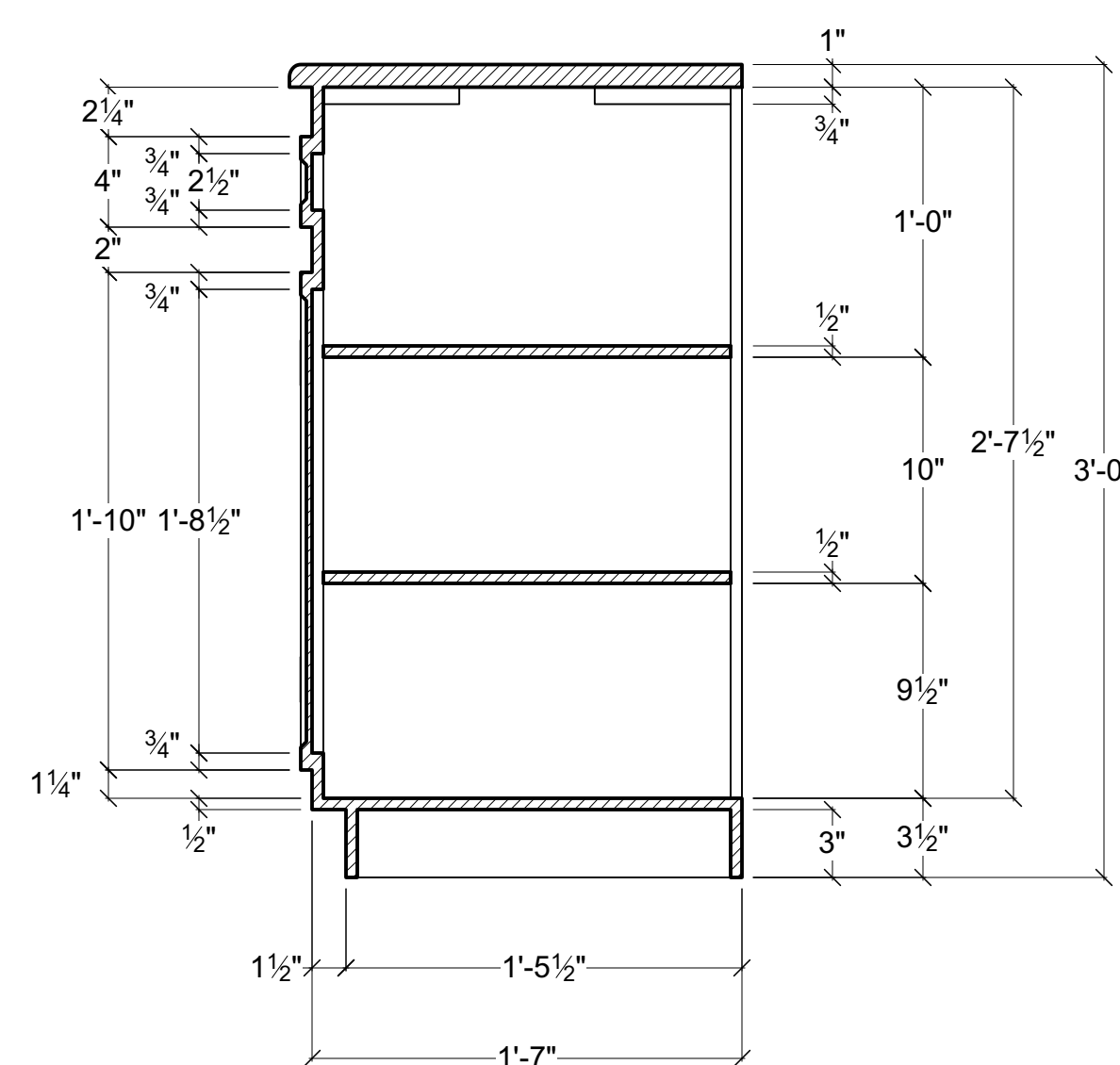
COUNTER TOP VIEW



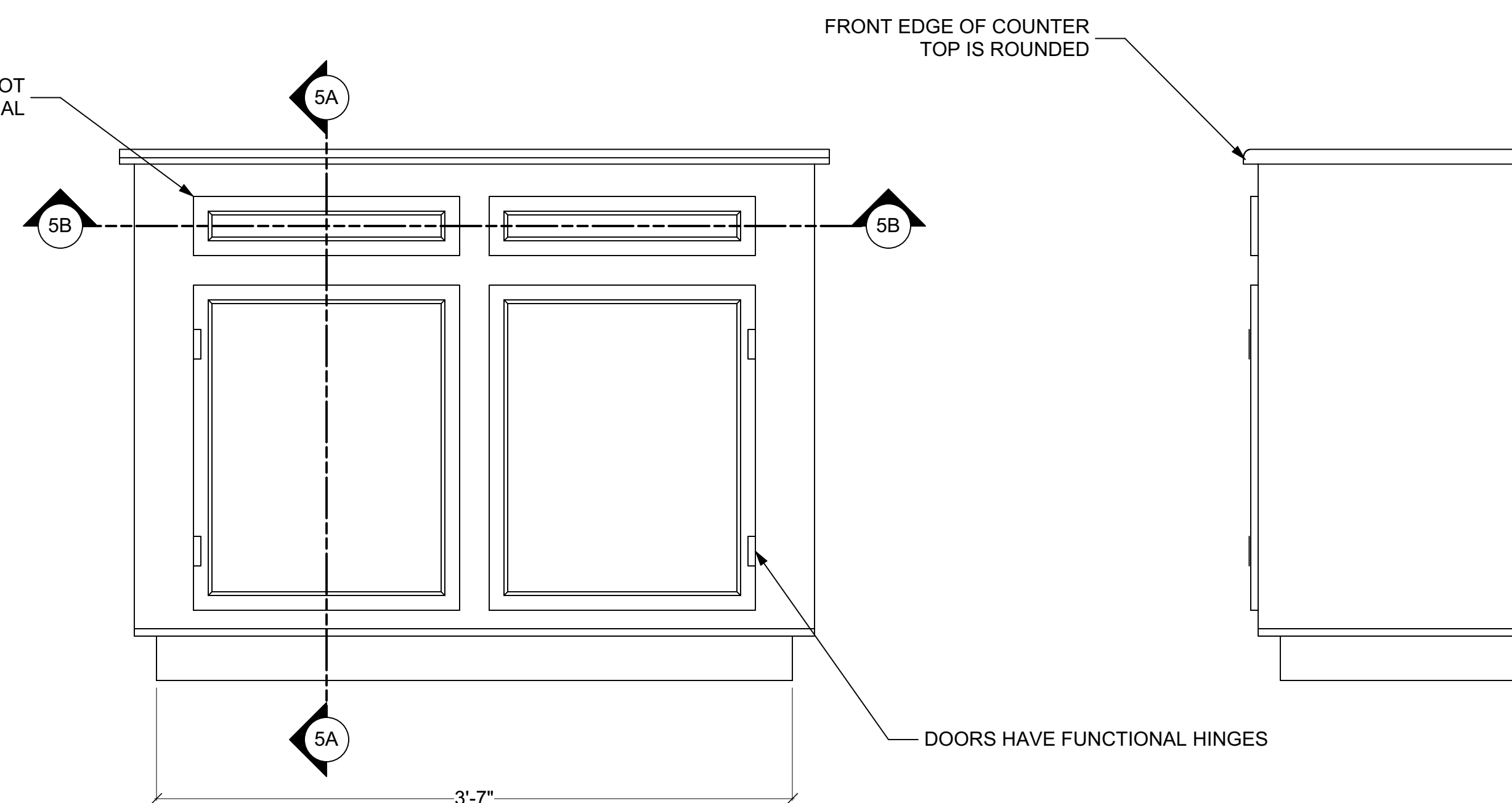
SECTION 5B



COUNTER BACK VIEW



SECTION 5A



COUNTER FRONT VIEW

COUNTER SIDE VIEW

Disclaimer:
 Drawings are only meant to illustrate ideas and are not intended for construction. All elements shown in the design must be evaluated and stamped by a certified technical director before construction. The designer does not assume any liability for structural integrity in the designs. The company selected to build the Designs will assume all liability to its structural integrity and related consumer, crew and performer safety.

Venue: Actor's Playhouse
 Stage: Balcony Theatre
 Director: David Arisco
 Technical Director: Gene Seyffer

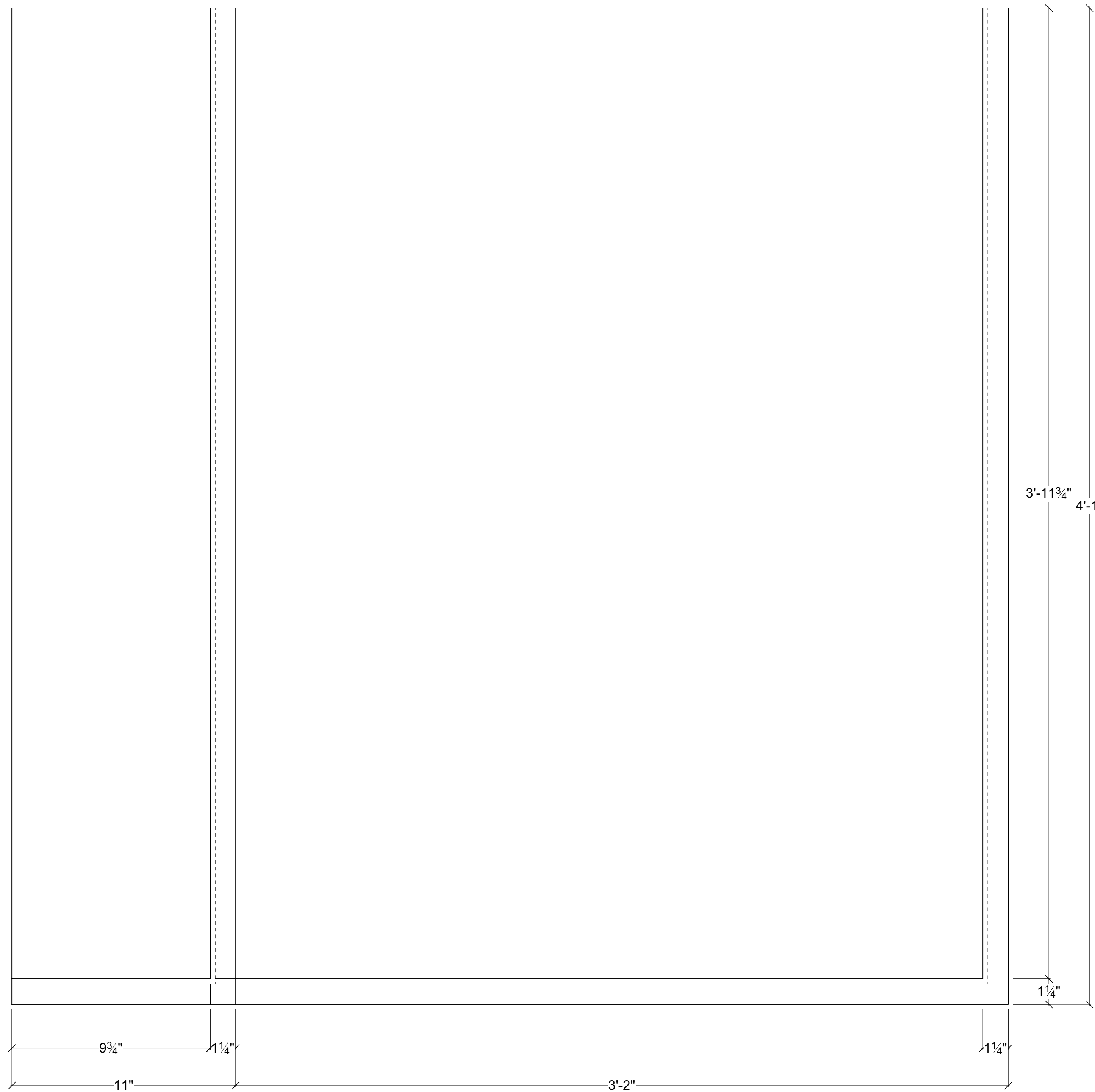
Show Title: SWEET GOATS & BLUEBERRY SEÑORITAS

Sheet Title: Designer Drafting - Counter
 Date: 14 July 2023
 Designer: Brandon M. Newton
 Scale: 1 1/2" = 1'-0"
 Drawn By: Brandon M. Newton

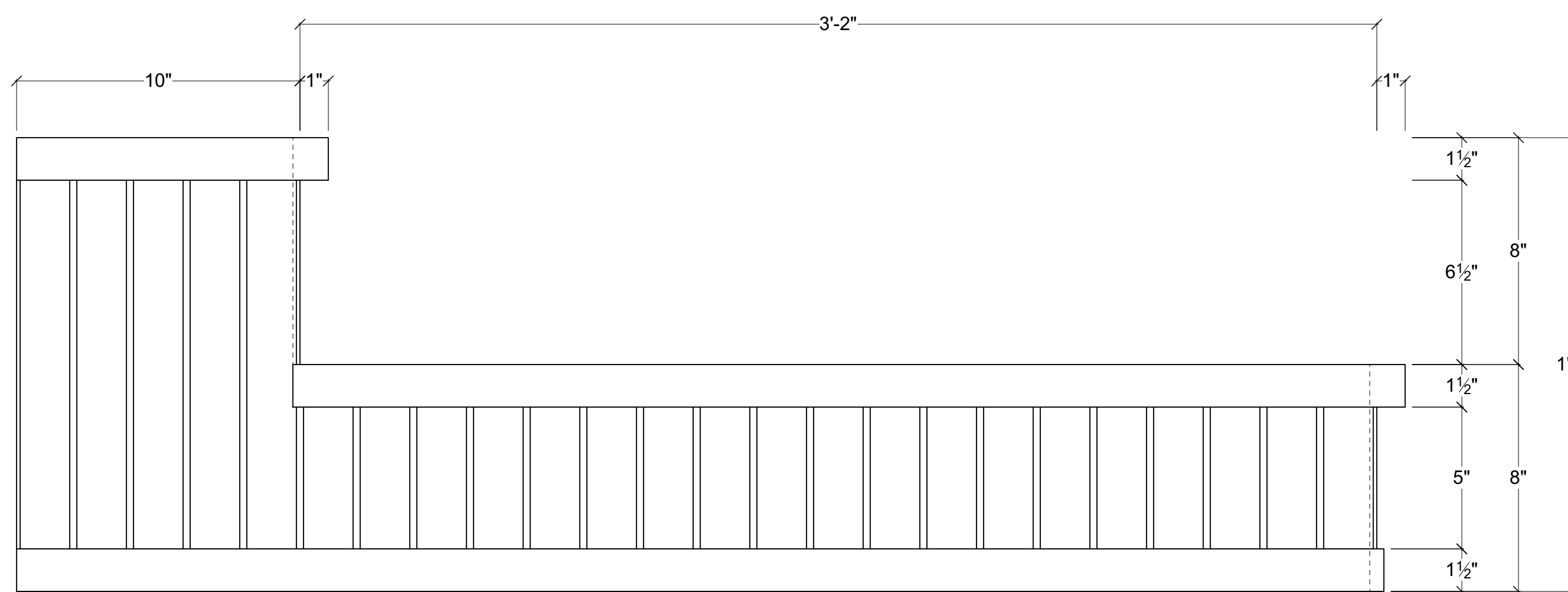
Sheet Number: DES-5 of 9

DESIGNER DRAFTING - BASEMENT PLATFORM

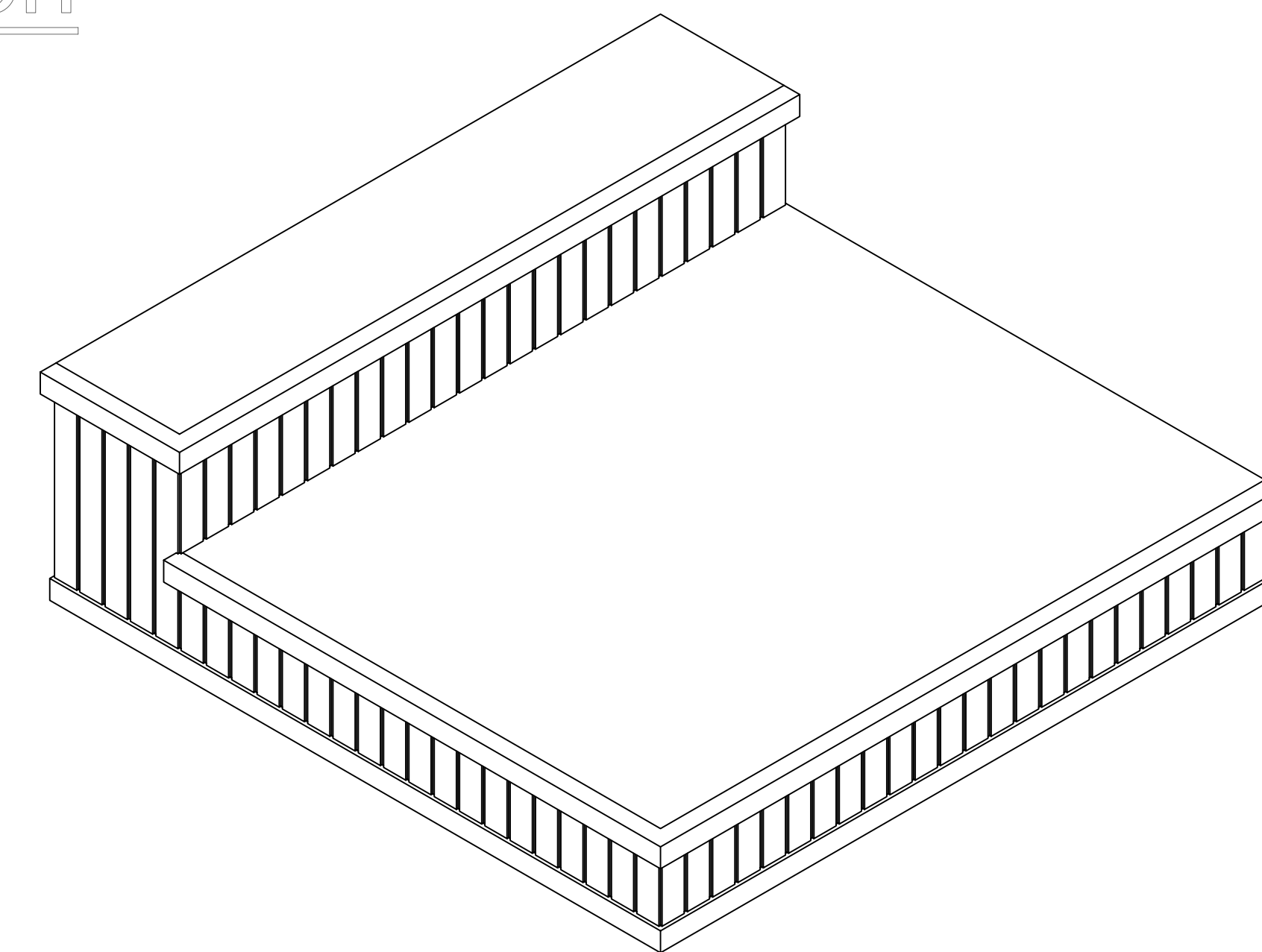
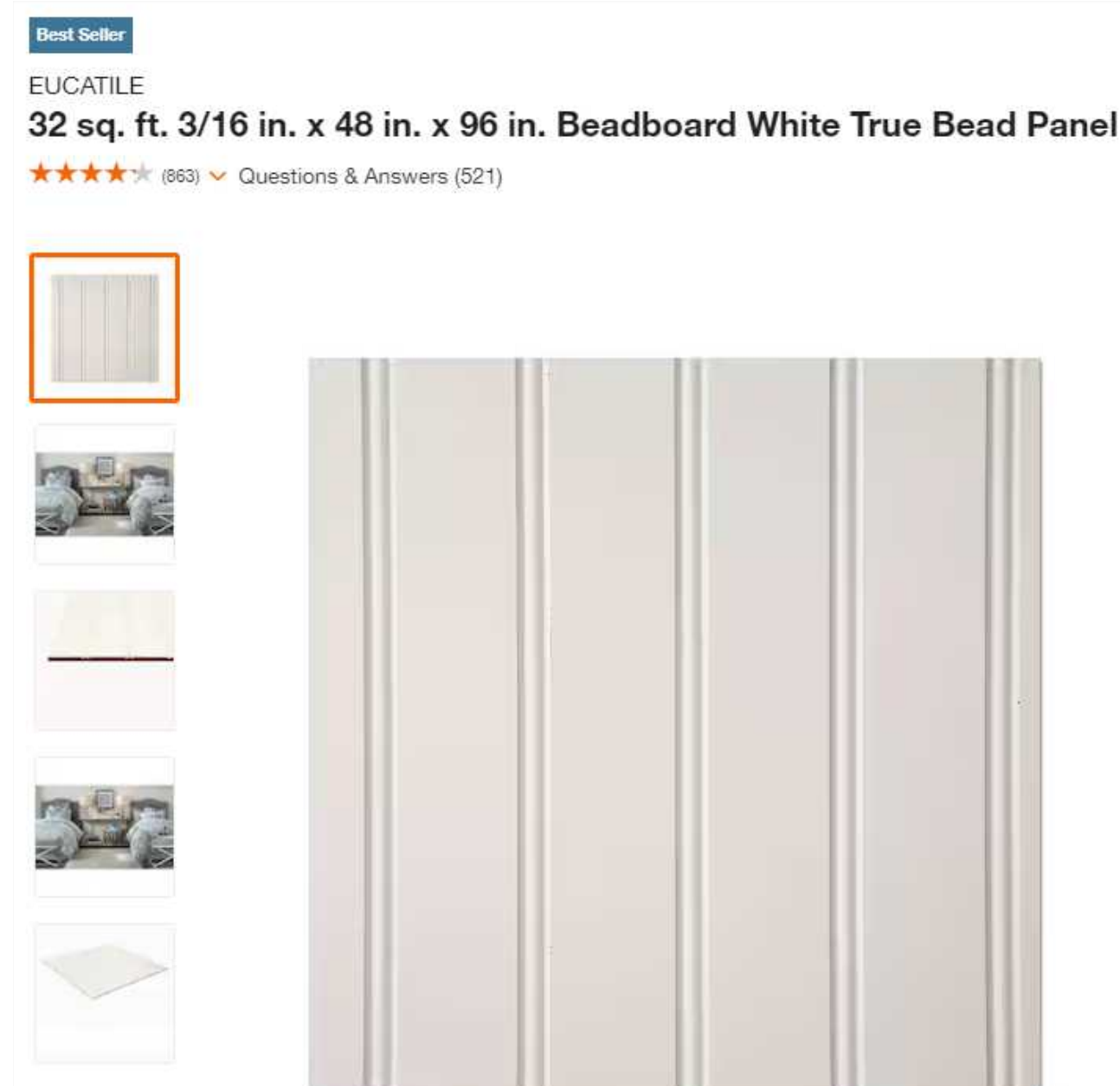
- CONSTRUCT 1
- ALL SEAMS MUST BE HIDDEN
- SEE BELOW SAMPLE FOR PANELING
- BASEBOARD IS 1/2" THICK



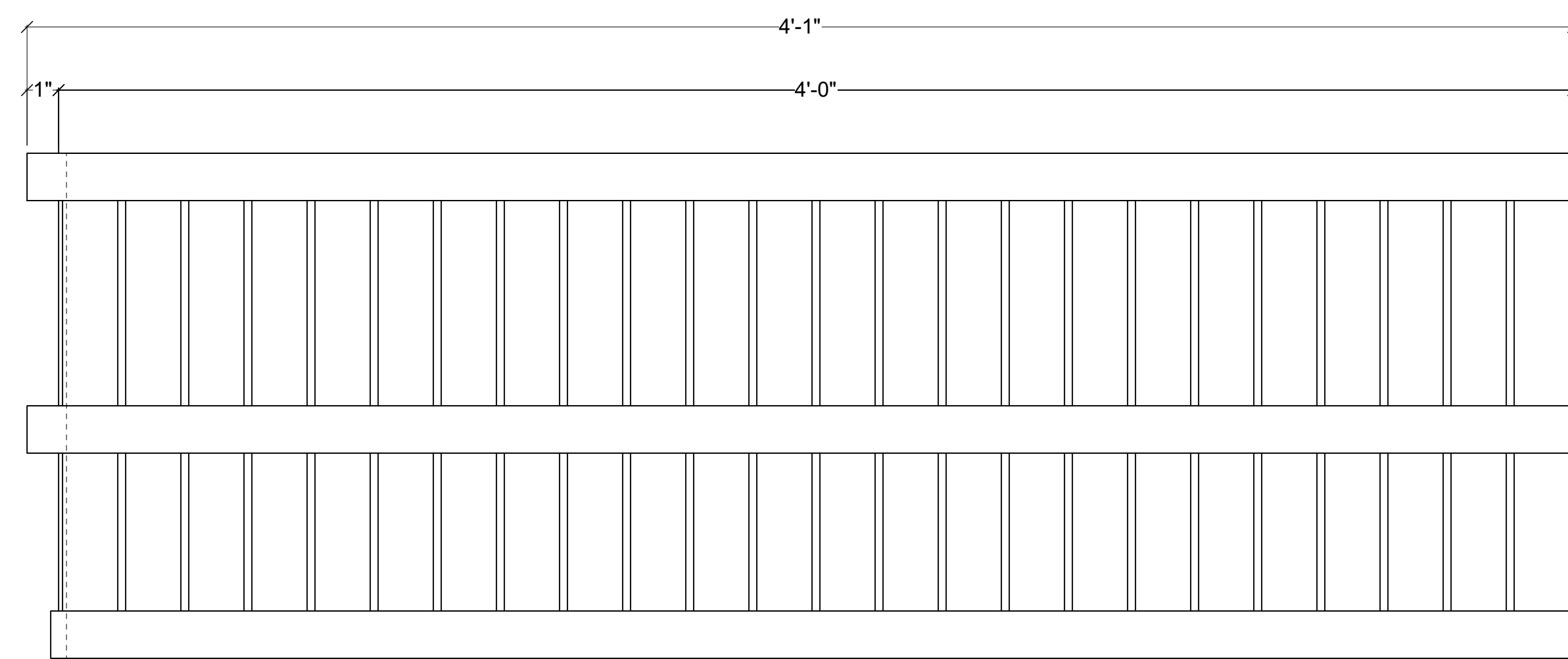
BASEMENT PLATFORM TOP VIEW



BASEMENT PLATFORM SIDE VIEW



BASEMENT PLATFORM ISOMETRIC VIEW



BASEMENT PLATFORM FRONT VIEW

Disclaimer:
 Drawings are only meant to illustrate ideas and are not intended for construction. Elements shown in the design must be evaluated and stamped by a certified technical director before construction. The designer does not assume any liability for structural integrity in the designs. The company selected to build the Designs will assume all liability to its structural integrity and related consumer, crew and performer safety.

David Arisco
 Scenic Designer Signature

Venue:	Actor's Playhouse
Stage:	Balcony Theatre
Director:	David Arisco
Technical Director:	Gene Seyffer

Show Title:
SWEET GOATS & BLUEBERRY SEÑORITAS

Sheet Title:	Designer Drafting - Basement Platform
Date:	14 July 2023
Scale:	3" = 1'-0"
Designer:	Brandon M. Newton
Drawn By:	Brandon M. Newton

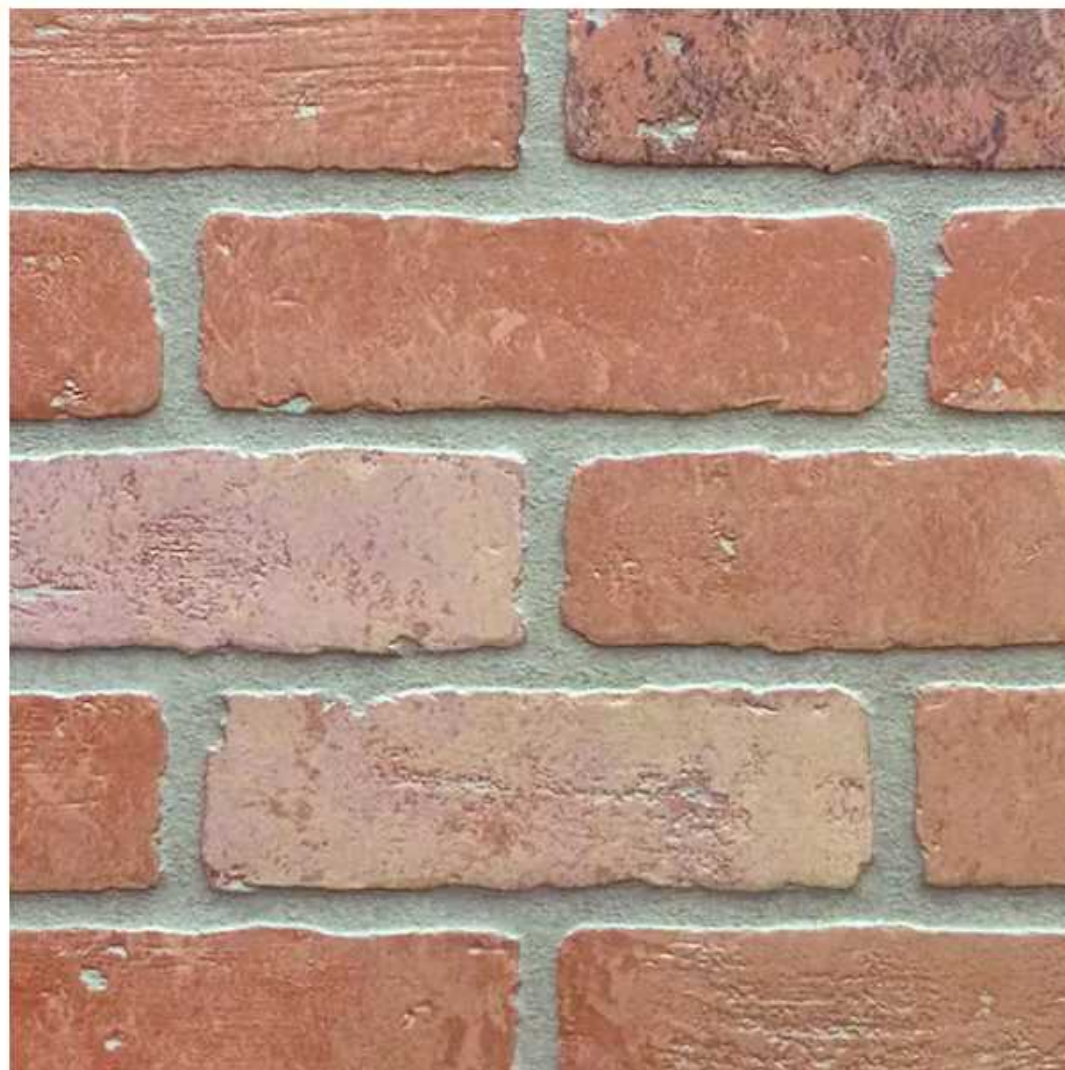
DESIGNER DRAFTING - KITCHEN PLATFORM

- CONSTRUCT 1
- FRAMES NEED TO BE BACKED WITH WHITE SCRIM (WILL BE PAINTED)
- FRAMES CAN HAVE CABLE ATTACHED TO GRID IF ADDITIONAL BRACING IS NEEDED
- ALL SEAMS MUST BE HIDDEN
- SEE BELOW SAMPLES FOR BRICK AND TRIM

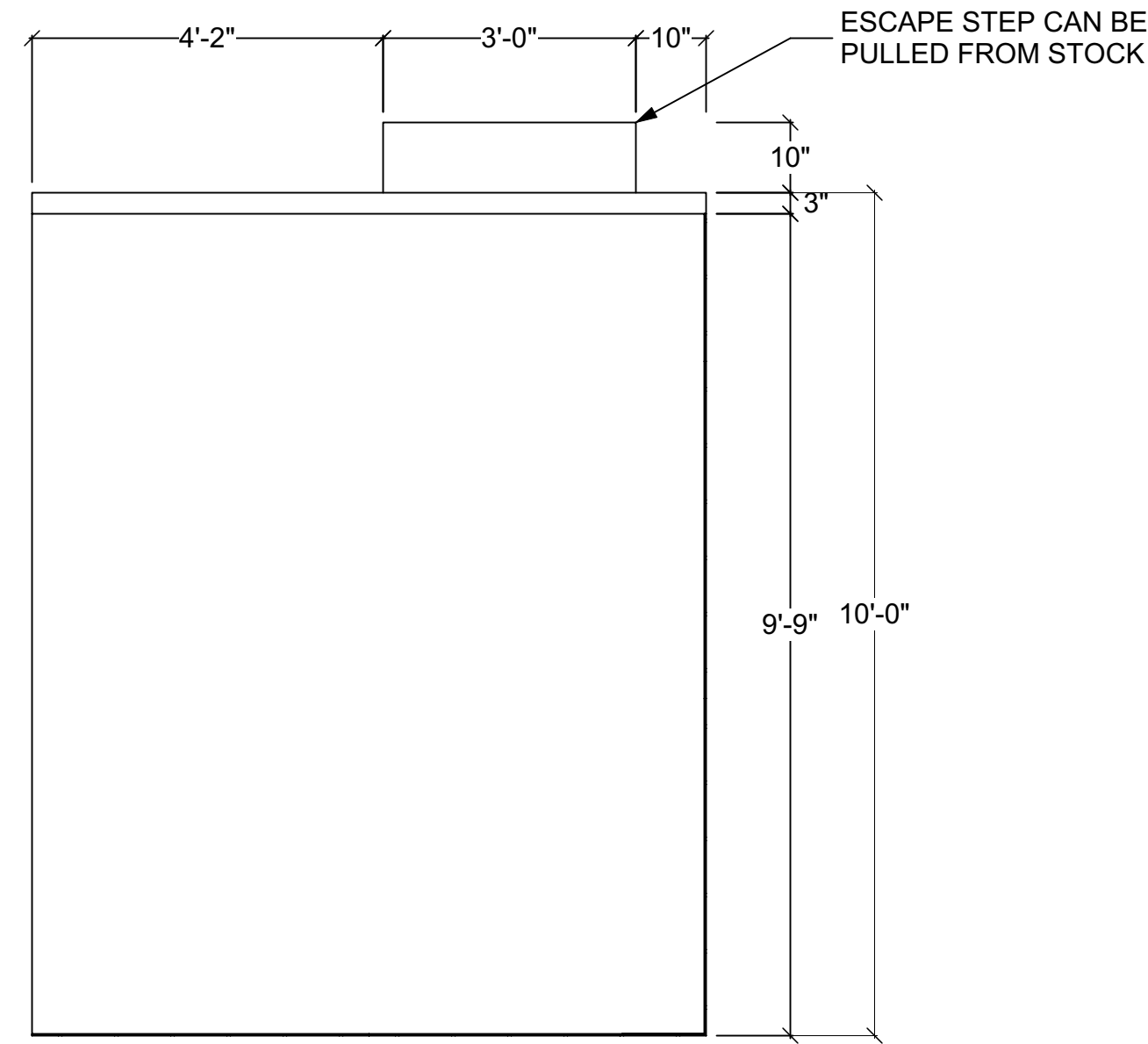
Woodgrain Millwork
WM RB03 1-1/16 in. x 3-1/2 in. Wood Prime Finger-Jointed Casing
 ★★★★★ (98) Questions & Answers (4)



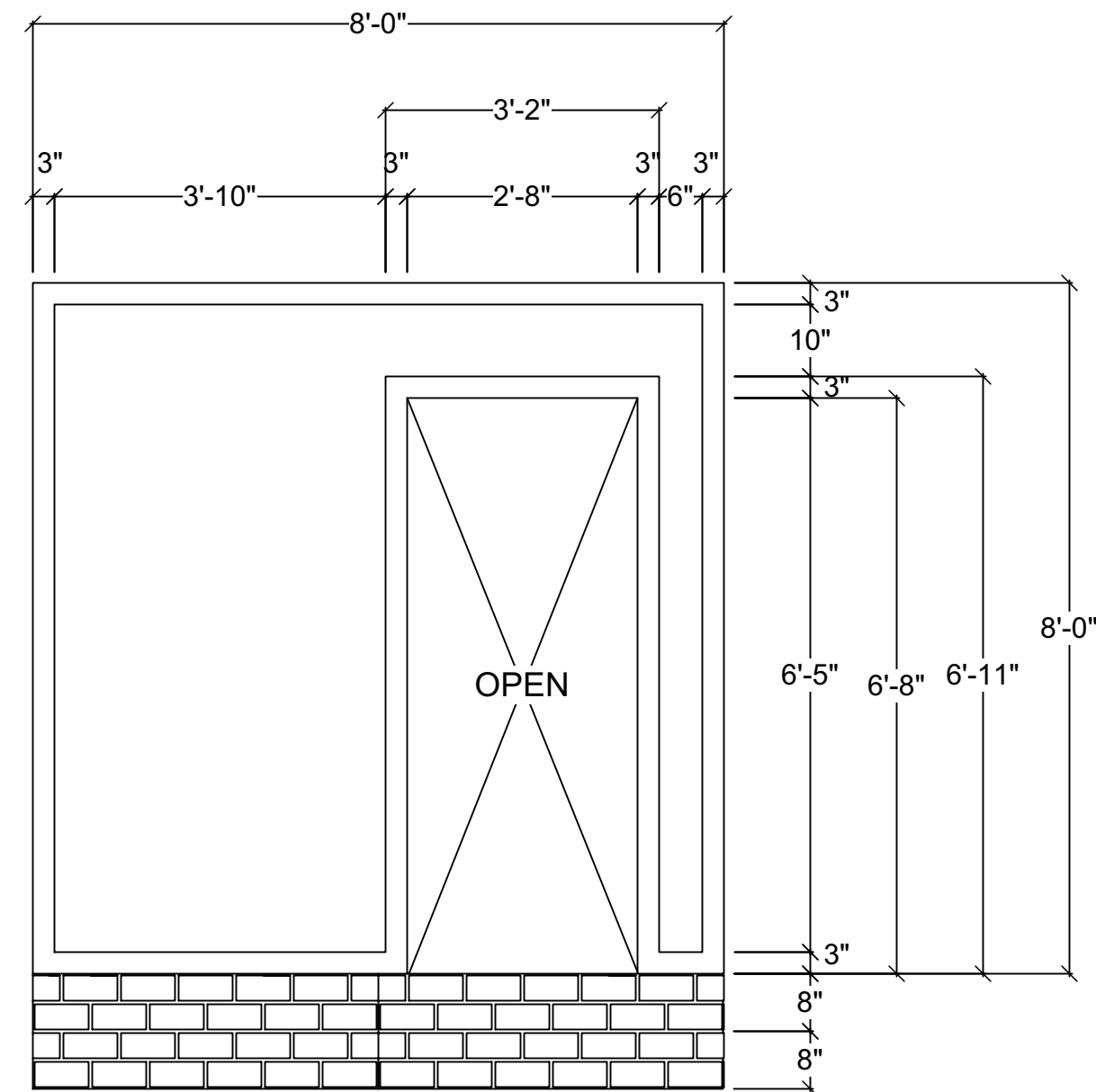
1/4 in. x 48 in. x 96 in. HDF Kingston Brick Panel
 ★★★★★ (187) Questions & Answers (230)



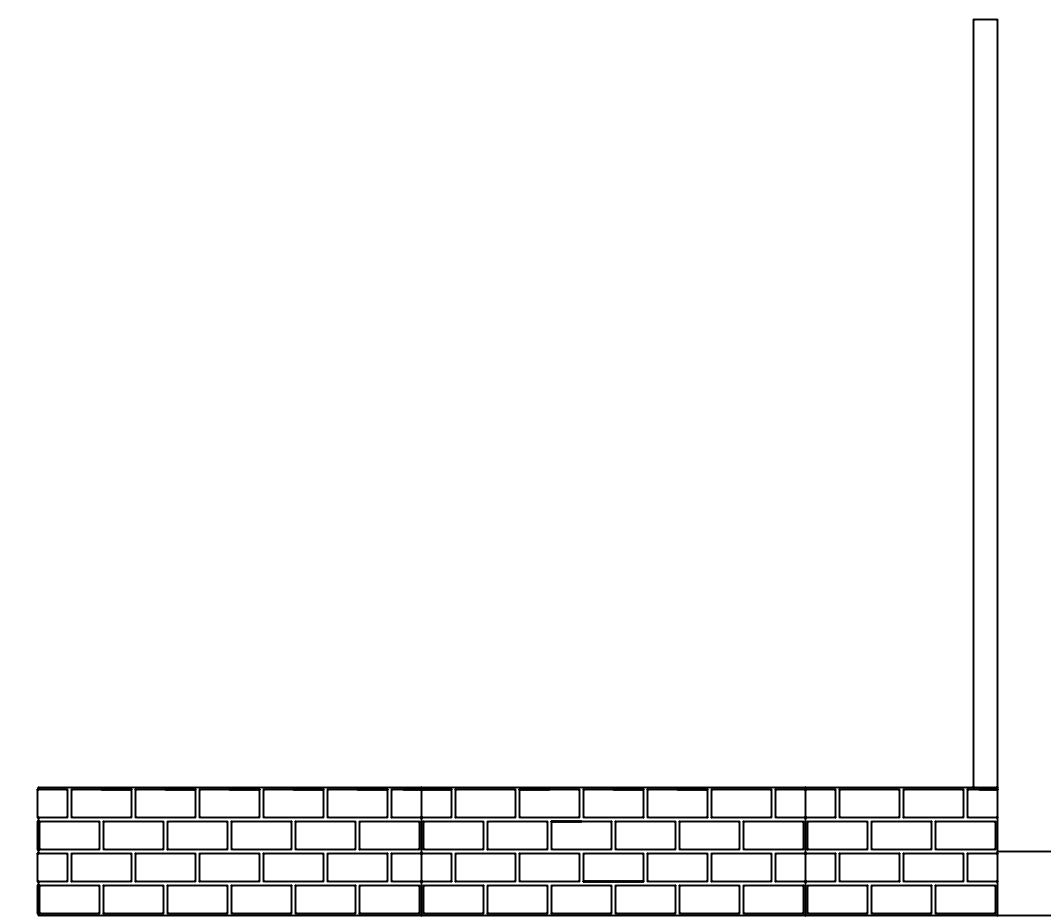
Hover Image to Zoom



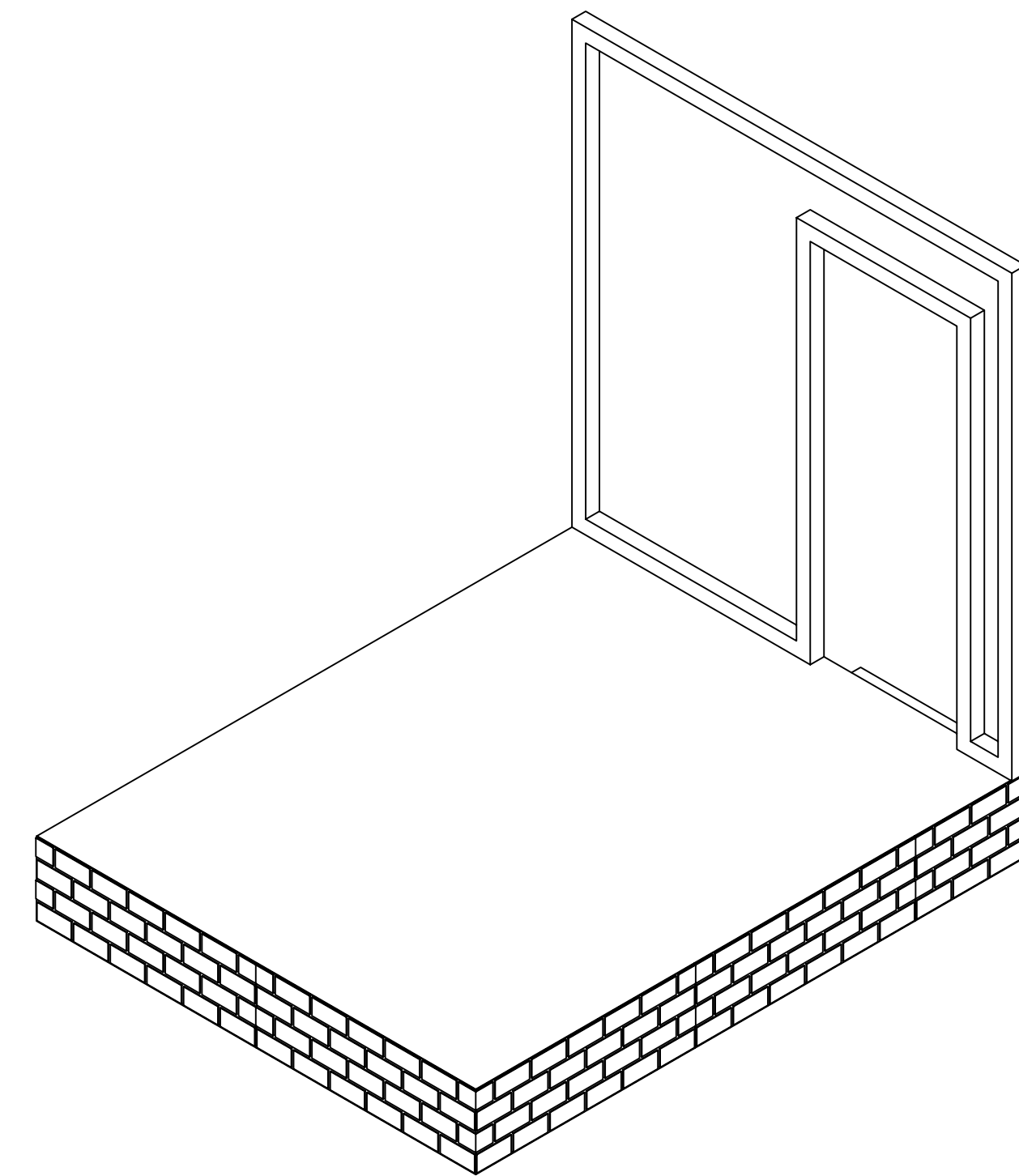
KITCHEN PLATFORM TOP VIEW



KITCHEN PLATFORM FRONT VIEW



KITCHEN PLATFORM SIDE VIEW



KITCHEN PLATFORM ISOMETRIC VIEW

Disclaimer:
 Drawings are only meant to illustrate ideas and are not to be used for construction. Elements shown in the design must be evaluated and stamped by a certified technical director before construction. The designer does not assume any liability for structural integrity in the designs. The company selected to build the Designs will assume all liability to its structural integrity and related consumer, crew and performer safety.

David Arisco
 Scenic Designer Signature

Venue:	Actor's Playhouse
Stage:	Balcony Theatre
Director:	David Arisco
Technical Director:	Gene Seyffer

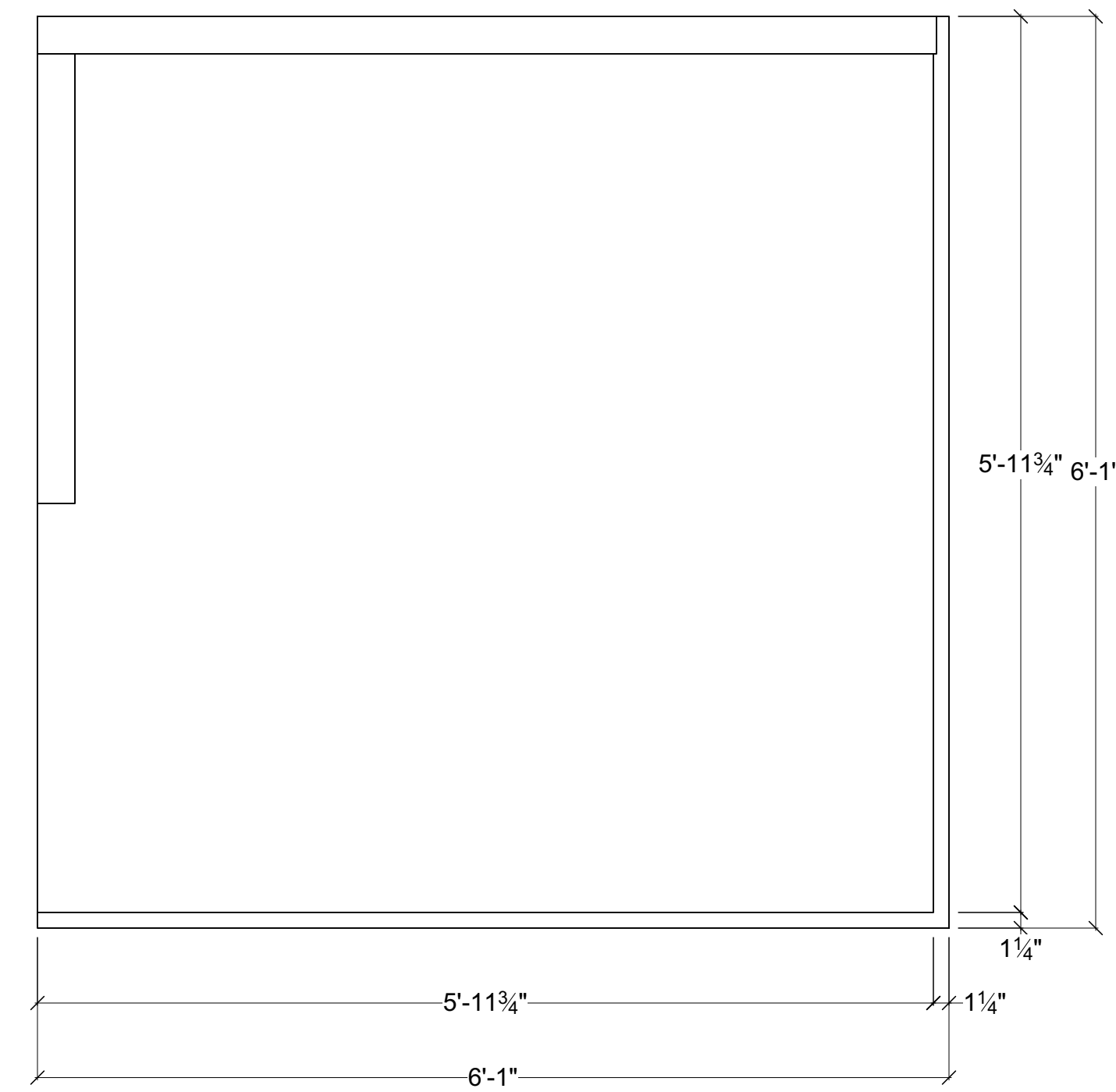
Show Title:
SWEET GOATS & BLUEBERRY SEÑORITAS

Sheet Title:	Designer Drafting - Kitchen Platform
Date:	14 July 2023
Designer:	Brandon M. Newton
Scale:	1/2" = 1'-0"
Drawn By:	Brandon M. Newton

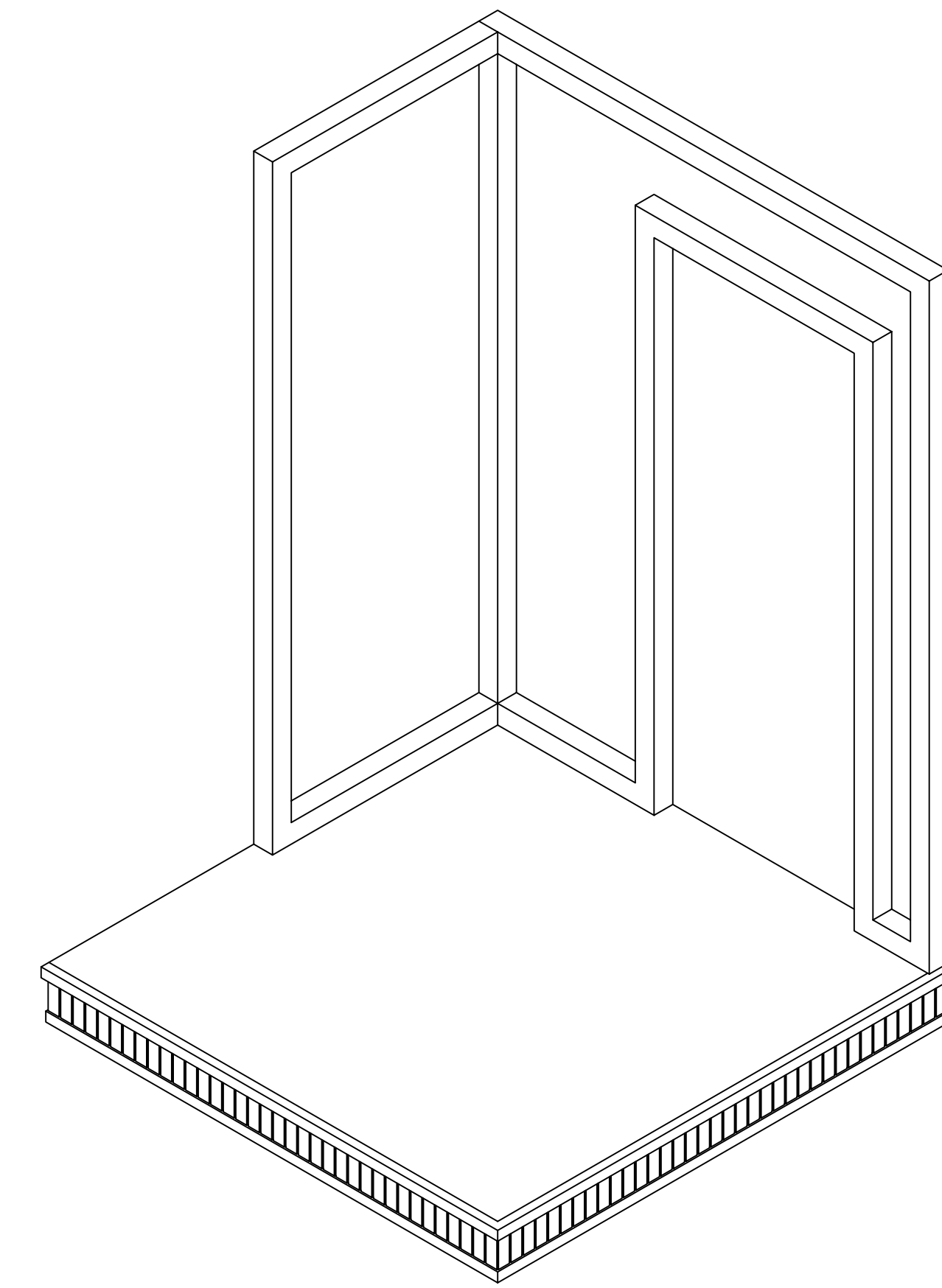
Sheet Number:
DES-7 of 9

DESIGNER DRAFTING - BEDROOM PLATFORM

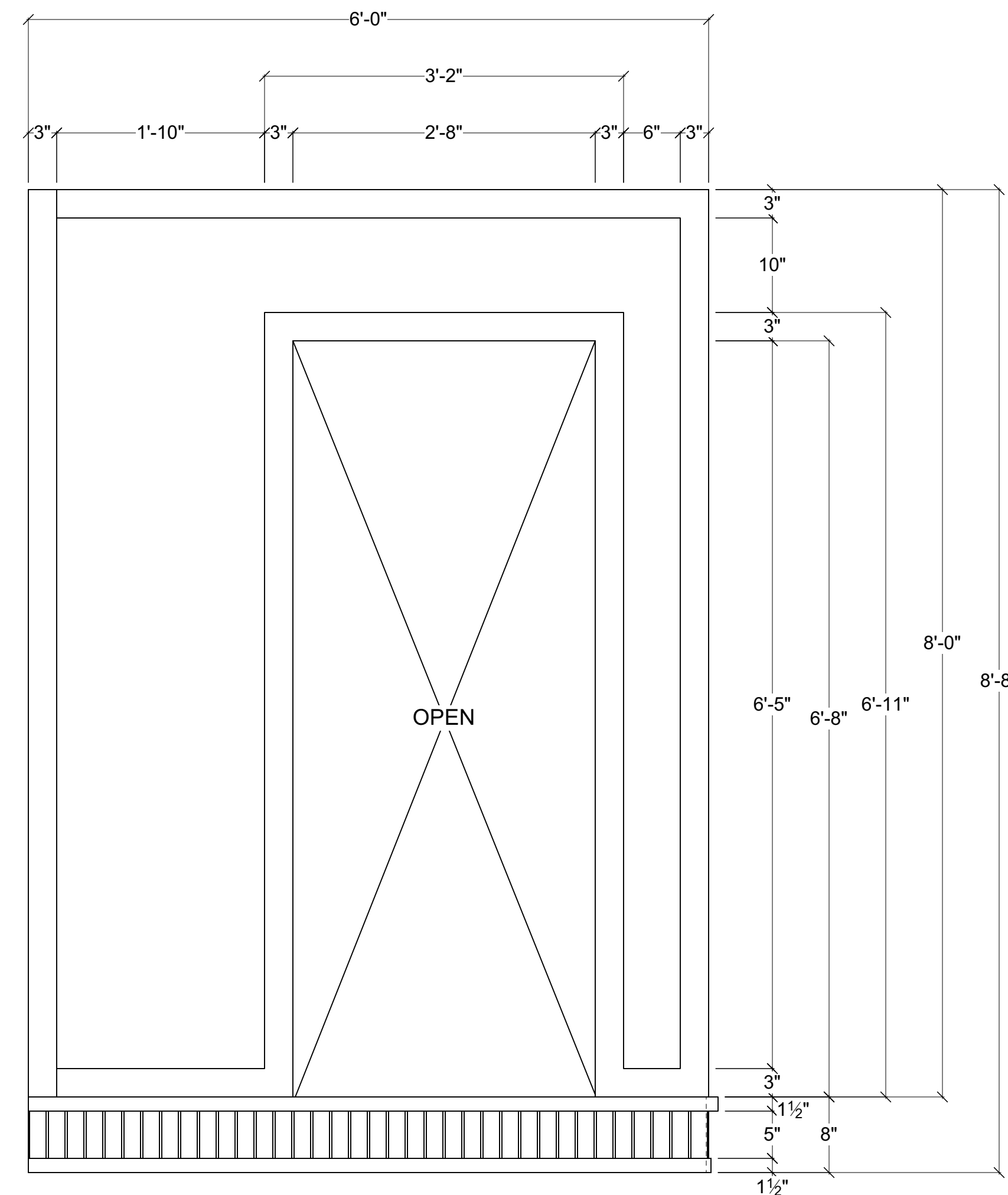
- CONSTRUCT 1
- FRAMES NEED TO BE BACKED WITH WHITE SCRIM (WILL BE PAINTED)
- FRAMES CAN HAVE CABLE ATTACHED TO GRID IF ADDITIONAL BRACING IS NEEDED
- ALL SEAMS MUST BE HIDDEN
- SEE BELOW SAMPLES FOR PANELING AND TRIM
- BASEBOARD IS 1/2" THICK



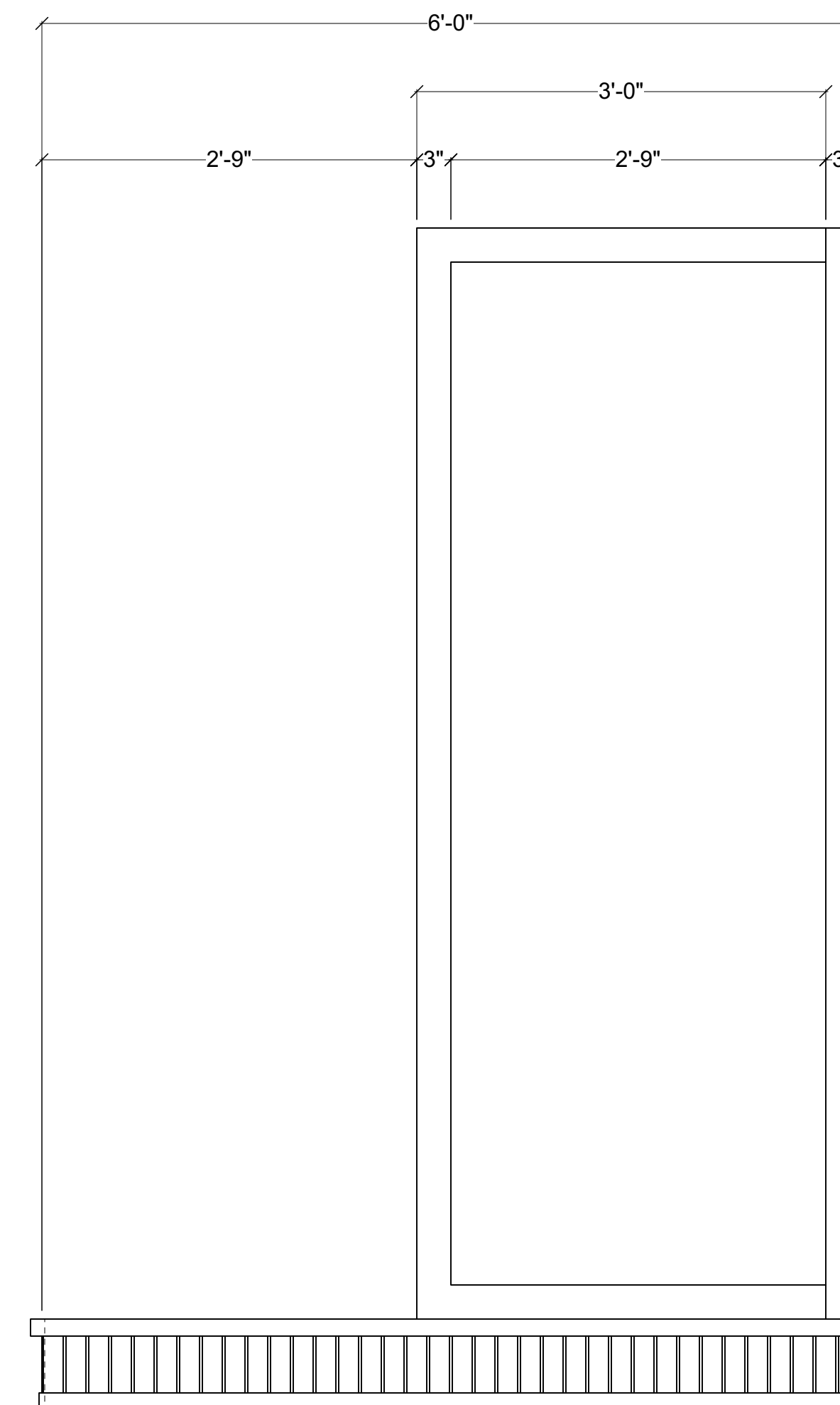
BEDROOM PLATFORM TOP VIEW



BEDROOM PLATFORM ISOMETRIC VIEW



BEDROOM PLATFORM FRONT VIEW



BEDROOM PLATFORM SIDE VIEW

Woodgrain Millwork
WM RB03 1-1/16 in. x 3-1/2 in. Wood Prime Finger-Jointed Casing
 ★★★★★ (86) Questions & Answers (4)



Best Seller
 EUCATILE
32 sq. ft. 3/16 in. x 48 in. x 96 in. Beadboard White True Bead Panel
 ★★★★★ (883) Questions & Answers (521)



Disclaimer:
 Drawings are only meant to illustrate ideas and are not intended for construction. All elements shown in the design must be evaluated and stamped by a certified technical director before construction. The designer does not assume any liability for structural integrity in the designs. The company selected to build the Designs will assume all liability to its structural integrity and related consumer, crew and performer safety.

David Arisco
 Scenic Designer Signature

Venue: **Actor's Playhouse**
 Stage: **Balcony Theatre**
 Director: **David Arisco**
 Technical Director: **Gene Seyffer**

Show Title: **SWEET GOATS & BLUEBERRY SEÑORITAS**

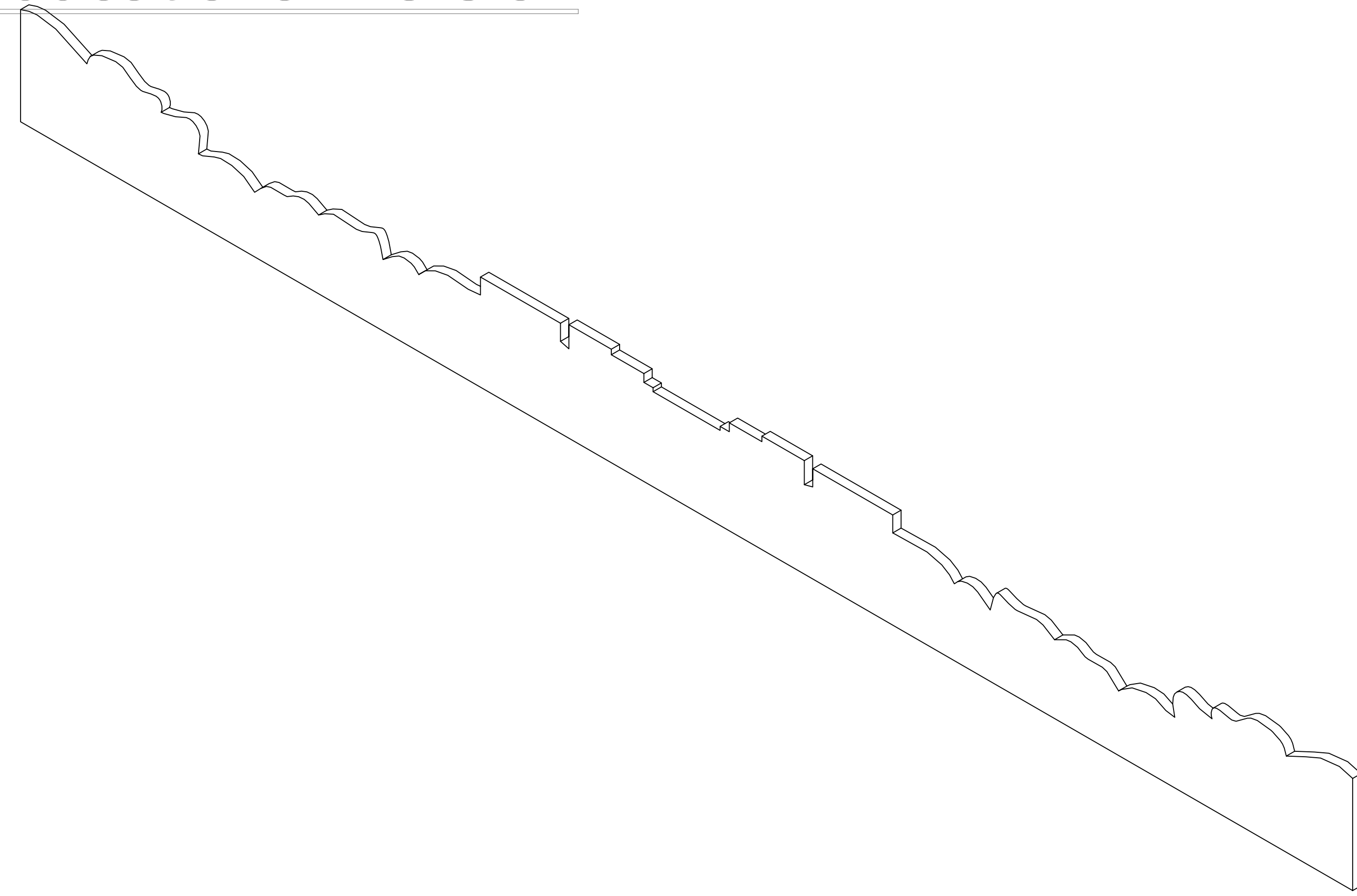
Sheet Title: **Designer Drafting - Bedroom Platform**
 Scale: **1" = 1'-0"**
 Drawn By: **Brandon M. Newton**

Date: **14 July 2023**
 Designer: **Brandon M. Newton**

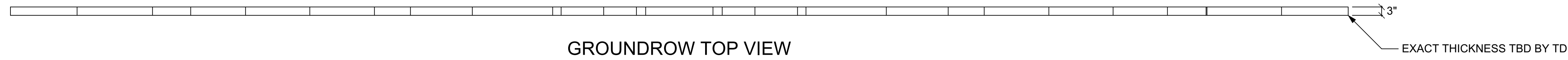
Sheet Number: **DES-8**
 of: **9**

DESIGNER DRAFTING - GROUNDROW

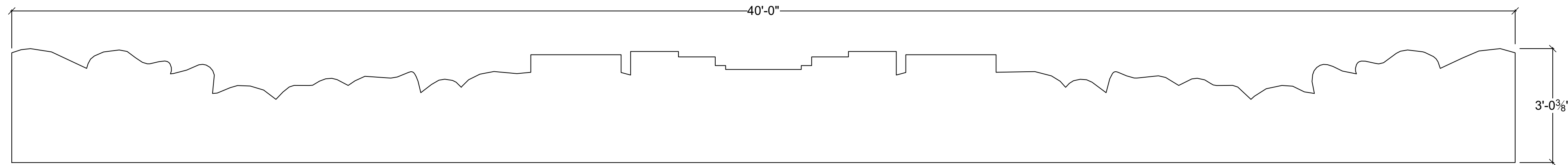
- CONSTRUCT 1
- UNIT IS SYMMETRICAL
- TOP PROFILE IS APPROXIMATE
- ALL SEAMS MUST BE HIDDEN



GROUNDROW ISOMETRIC VIEW



GROUNDROW TOP VIEW



GROUNDROW FRONT VIEW

Disclaimer:
 Drawings are only meant to illustrate ideas and are not intended for construction. All elements shown in the design must be evaluated and stamped by a certified technical director before construction. The designer does not assume any liability for structural integrity in the designs. The company selected to build the Designs will assume all liability to its structural integrity and related consumer, crew and performer safety.

David Arisco
 Scenic Designer Signature

Venue:	Actor's Playhouse	
Stage:	Balcony Theatre	
Director:	David Arisco	Technical Director: Gene Seyffer

Show Title:
SWEET GOATS & BLUEBERRY SEÑORITAS

Sheet Title:	Designer Drafting - Groundrow	
Date:	14 July 2023	Designer: Brandon M. Newton
Scale:	1/2" = 1'-0"	Drawn By: Brandon M. Newton

Sheet Number:
DES-9 of 9